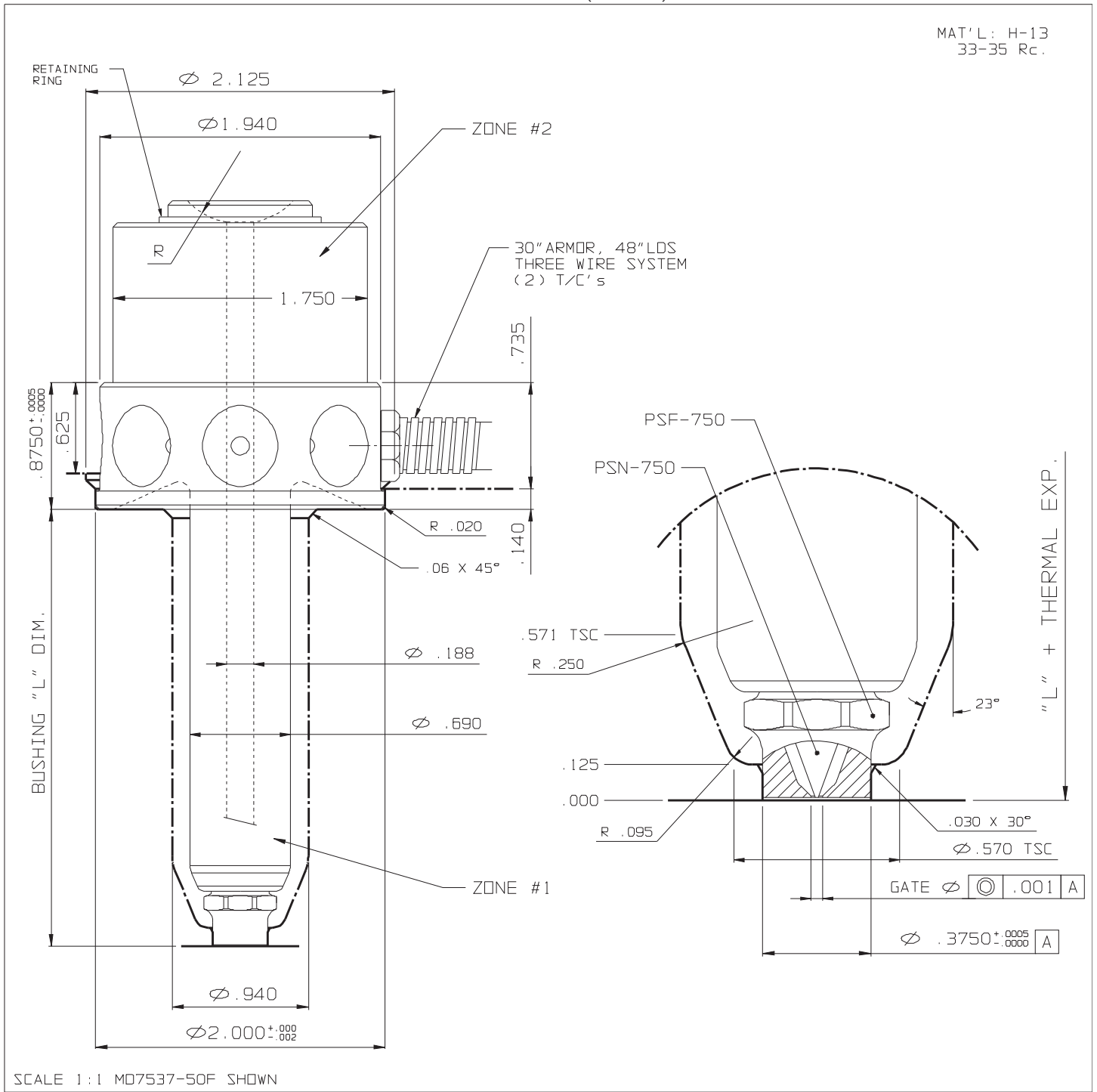


## FULL BODY (Small)

 MAT'L: H-13  
 33-35 Rc.


NOZZLE # (220 V)					THERMAL EXPANSION $\Delta L$ @ (°F)				OPTIONS	
L	1/2" SPH. RAD.	3/4" SPH. RAD.	WATTS	T/C	370°F	460°F	550°F	640°F	END CAP	GATE $\varnothing$
1.500	MD7523-50F	MD7523-75F	640	J2-06	0.003	0.005	0.006	0.007	PSF-750	.040
2.000	MD7527-50F	MD7527-75F	700	J2-10	0.004	0.006	0.007	0.009	GATING NEEDLES	UNFILLED MATLS
2.500	MD7533-50F	MD7533-75F	720	J2-10	0.005	0.007	0.009	0.011		
3.000	MD7537-50F	MD7537-75F	740	J2-10	0.006	0.009	0.011	0.013	REINFORCED MATLS	
3.500	MD7543-50F	MD7543-75F	770	J2-10	0.007	0.010	0.012	0.015	PSN-750	PSN-760
4.000	MD7547-50F	MD7547-75F	800	J2-10	0.008	0.011	0.014	0.016		