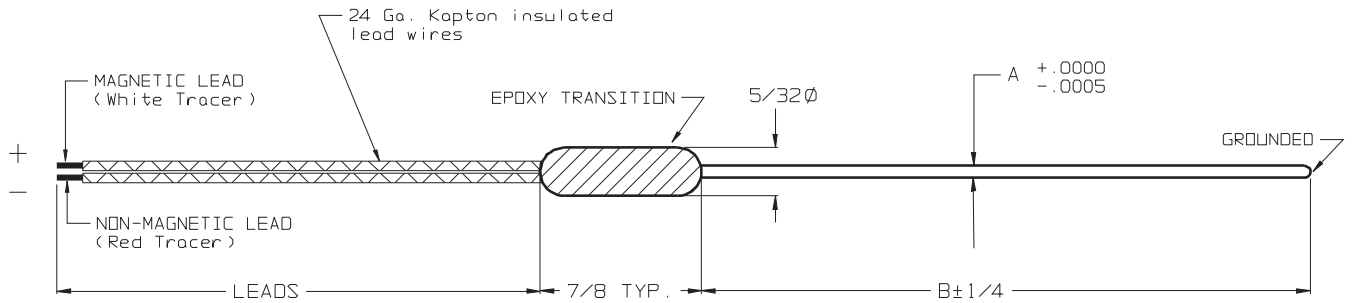


THERMOCOUPLES

The following thermocouples can be used with all Melt Design products.  
See specific product page for details



| PART NO   |            | PROBE SPECS |    |
|-----------|------------|-------------|----|
| 48" LEADS | 108" LEADS | A           | B  |
| J2-06-48  | J2-06-108  |             | 6  |
| J2-10-48  | J2-10-108  | .020        | 10 |
| J2-14-48  | J2-14-108  |             | 14 |
| N/A       | J6-10-108  | .060        | 10 |
|           | J6-16-108  |             | 14 |
|           | J6-24-108  |             | 24 |

Note: Type K thermocouples also available upon request.

