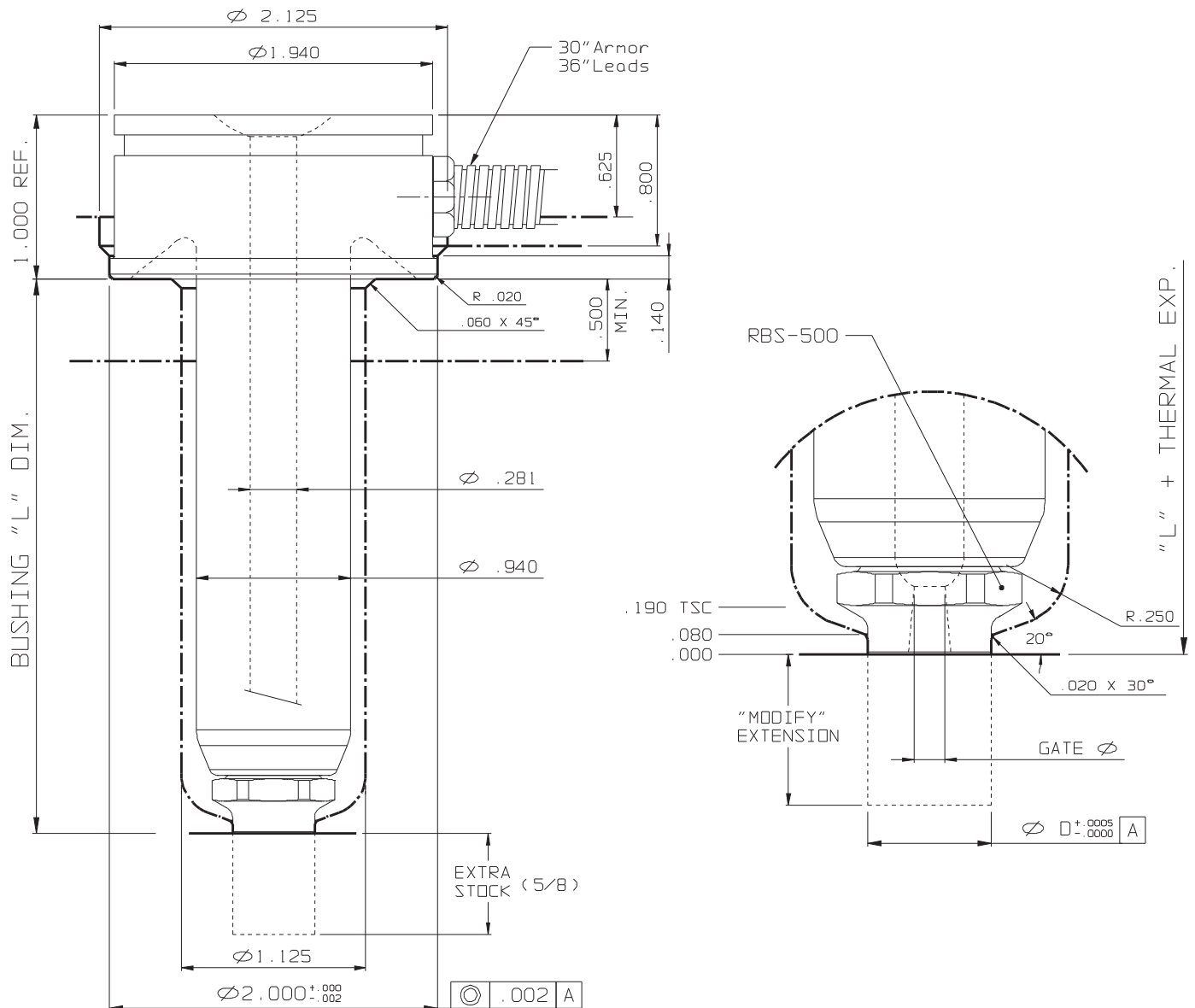


SPRUE TYPE (Medium)

 MAT'L: H-13
 33-35 Rc.


SCALE 1:1 RB1037-50S SHOWN

STANDARD SIZES (240 V)							OPTIONS		
L	1/2 SPH. RAD.	3/4 SPH. RAD.	FLAT TYPE	MAN. TYPE	Watts	T/C	END CAPS		
1.875	RB1023-50S	RB1023-75S	RB1023-38S	RB1023-68S	345	J2-06	STANDARD	D	ORIFICE
2.375	RB1027-50S	RB1027-75S	RB1027-38S	RB1027-68S	365	J2-06			
2.875	RB1033-50S	RB1033-75S	RB1033-38S	RB1033-68S	395	J2-06			
3.375	RB1037-50S	RB1037-75S	RB1037-38S	RB1037-68S	440	J2-06	RB5-500	.500	1/8 + 5°/8
3.875	RB1043-50S	RB1043-75S	RB1043-38S	RB1043-68S	460	J2-10	RB5-750	.750	
4.375	RB1047-50S	RB1047-75S	RB1047-38S	RB1047-68S	485	J2-10	RB5-100	1.000	
4.875	RB1053-50S	RB1053-75S	RB1053-38S	RB1053-68S	510	J2-10			
5.375	RB1057-50S	RB1057-75S	RB1057-38S	RB1057-68S	535	J2-10			
5.875	RB1063-50S	RB1063-75S	RB1063-38S	RB1063-68S	560	J2-10			
6.375	RB1067-50S	RB1067-75S	RB1067-38S	RB1067-68S	585	J2-10			
6.875	RB1073-50S	RB1073-75S	RB1073-38S	RB1073-68S	610	J2-10			
7.375	RB1077-50S	RB1077-75S	RB1077-38S	RB1077-68S	635	J2-10			
7.875	RB1083-50S	RB1083-75S	RB1083-38S	RB1083-68S	660	J2-14			
8.375	RB1087-50S	RB1087-75S	RB1087-38S	RB1087-68S	685	J2-14			
8.875	RB1093-50S	RB1093-75S	RB1093-38S	RB1093-68S	710	J2-14			
9.375	RB1097-50S	RB1097-75S	RB1097-38S	RB1097-68S	735	J2-14			

END CAPS		
EXTRA STOCK	D	ORIFICE
RB5-500E5	.500	NONE
RB5-750E5	.750	
RB5-100E5	1.000	

A replaceable T/C is installed with each bushing.