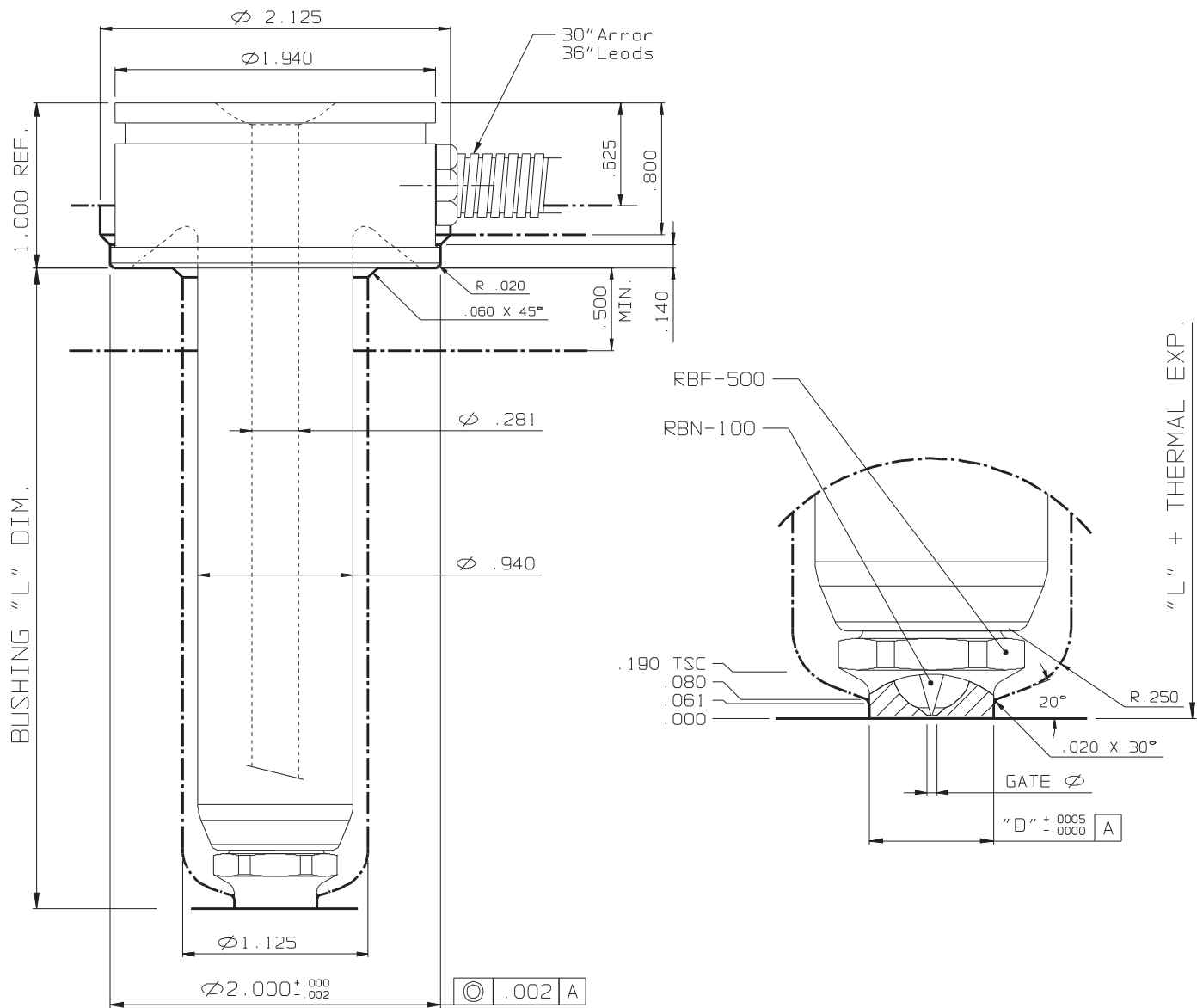


FULL BODY (Medium)

 MAT'L: H-13
 33-35 Rc.


SCALE 1:1 RB1043-50F SHOWN

STANDARD SIZES						(240 V)		OPTIONS		
L	½ SPH. RAD.	¾ SPH. RAD.	FLAT TYPE	MAN. TYPE	Watts	T/C	END CAPS			
							STANDARD	D	GATE	
1.875	RB1023-50F	RB1023-75F	RB1023-38F	RB1023-68F	345	J2-06				
2.375	RB1027-50F	RB1027-75F	RB1027-38F	RB1027-68F	365	J2-06				
2.875	RB1033-50F	RB1033-75F	RB1033-38F	RB1033-68F	395	J2-06				
3.375	RB1037-50F	RB1037-75F	RB1037-38F	RB1037-68F	440	J2-06				
3.875	RB1043-50F	RB1043-75F	RB1043-38F	RB1043-68F	460	J2-10	RBF-500	.500	.040	
4.375	RB1047-50F	RB1047-75F	RB1047-38F	RB1047-68F	485	J2-10	RBF-750	.750		
4.875	RB1053-50F	RB1053-75F	RB1053-38F	RB1053-68F	510	J2-10	RBF-100	1.000		
5.375	RB1057-50F	RB1057-75F	RB1057-38F	RB1057-68F	535	J2-10				
5.875	RB1063-50F	RB1063-75F	RB1063-38F	RB1063-68F	560	J2-10				
6.375	RB1067-50F	RB1067-75F	RB1067-38F	RB1067-68F	585	J2-10				
6.875	RB1073-50F	RB1073-75F	RB1073-38F	RB1073-68F	610	J2-10				
7.375	RB1077-50F	RB1077-75F	RB1077-38F	RB1077-68F	635	J2-10				
7.875	RB1083-50F	RB1083-75F	RB1083-38F	RB1083-68F	660	J2-14				
8.375	RB1087-50F	RB1087-75F	RB1087-38F	RB1087-68F	685	J2-14				
8.875	RB1093-50F	RB1093-75F	RB1093-38F	RB1093-68F	710	J2-14				
9.375	RB1097-50F	RB1097-75F	RB1097-38F	RB1097-68F	735	J2-14				

A replaceable T/C is installed with each bushing.

NOTE: The floating needle has been incorporated, but nozzle thermal expansion must be considered. Orifice must be adjusted to suit.