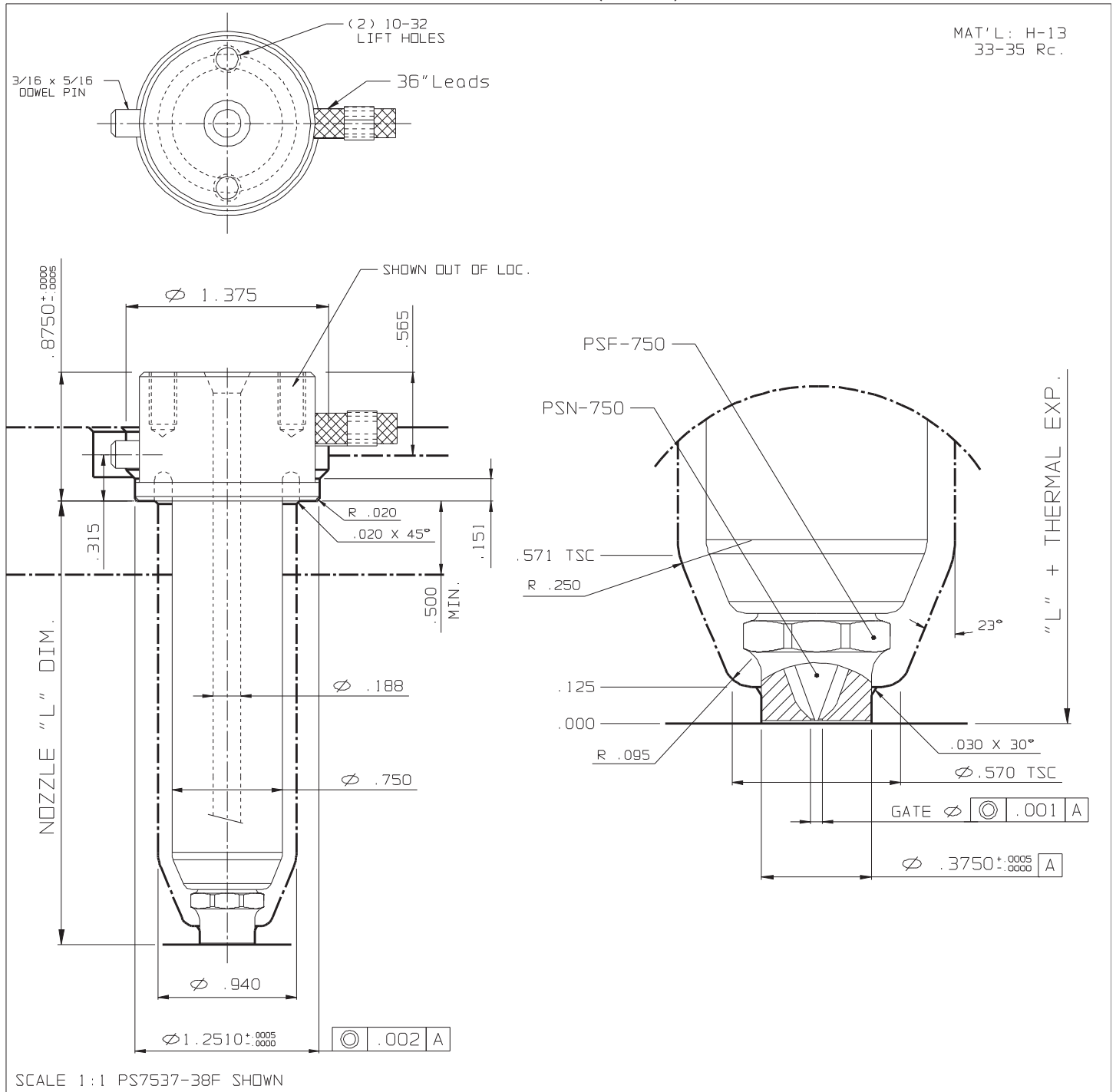


FULL BODY (Small)



NOZZLE # (220 V)					THERMAL EXPANSION ΔL @ (°F)				OPTIONS	
L	FLAT TYPE	O-RING TYPE	WATTS	T/C	370°F	460°F	550°F	640°F	END CAP	GATE Ø
1.000	PS7517-38F	PS7517-68F	220	J2-06	0.002	0.003	0.004	0.005	PSF-750	.040
1.500	PS7523-38F	PS7523-68F	250	J2-06	0.003	0.005	0.006	0.007		
2.000	PS7527-38F	PS7527-68F	310	J2-06	0.004	0.006	0.007	0.009		
2.500	PS7533-38F	PS7533-68F	330	J2-06	0.005	0.007	0.009	0.011		
3.000	PS7537-38F	PS7537-68F	350	J2-10	0.006	0.009	0.011	0.013	GATING NEEDLES	
3.500	PS7543-38F	PS7543-68F	380	J2-10	0.007	0.010	0.012	0.015	UNFILLED MAT'LS	REINFORCED MAT'LS
4.000	PS7547-38F	PS7547-68F	400	J2-10	0.008	0.011	0.014	0.016	PSN-750	PSN-760
4.500	PS7553-38F	PS7553-68F	500	J2-10	0.009	0.013	0.016	0.018		