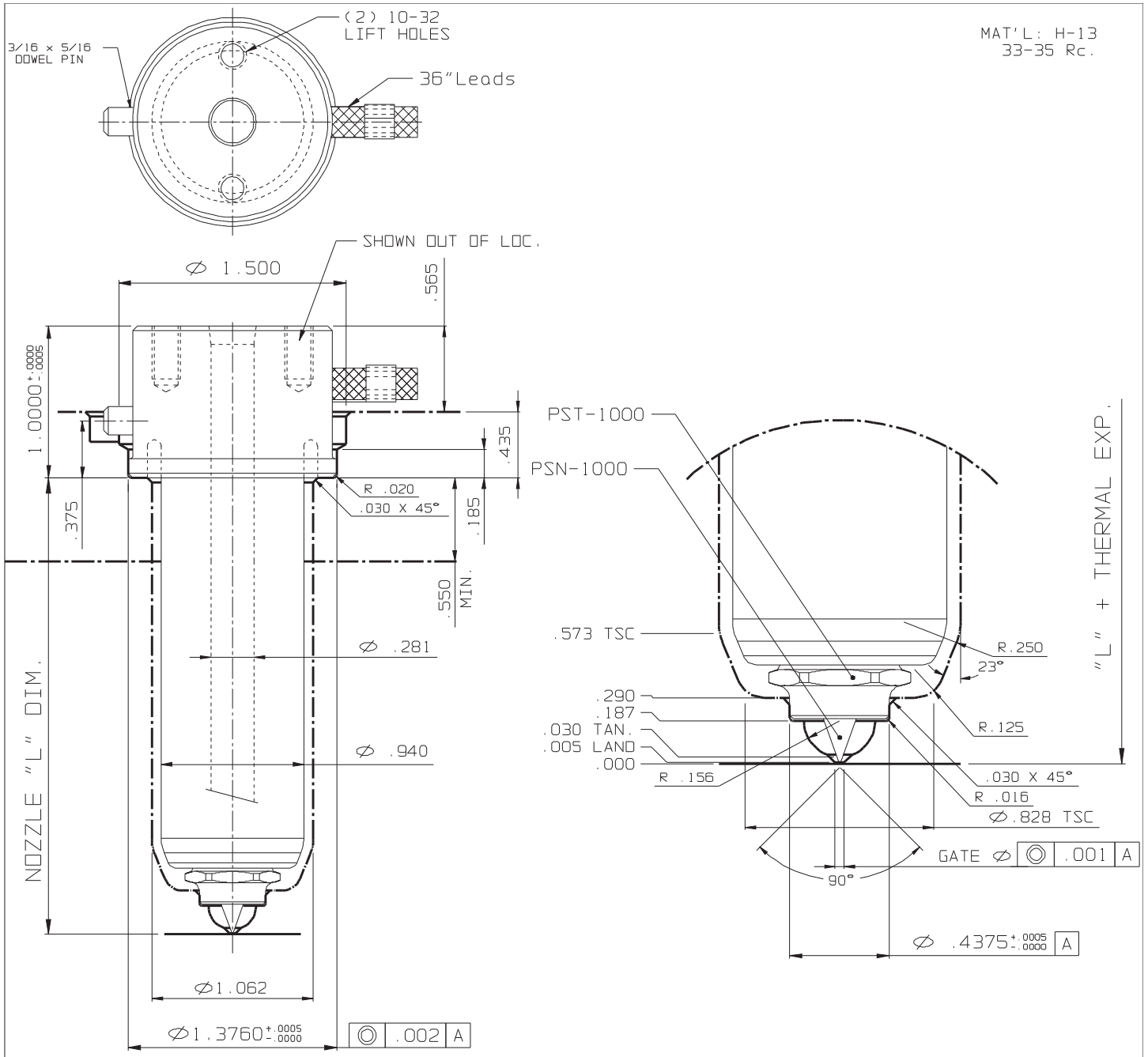


TOPLESS (Medium)



SCALE 1:1 PS1040-38T SHOWN

NOZZLE # (220V)					THERMAL EXPANSION ΔL @ (°F)				OPTIONS	
L	FLAT TYPE	O-RING TYPE	WATTS	T/C	370°F	460°F	550°F	640°F	END CAP	GATE Ø
2.000	PS1030-38T	PS1030-68T	355	J2-06	0.004	0.006	0.007	0.009	PST-1000	.030-.060
2.500	PS1035-38T	PS1035-68T	415	J2-06	0.005	0.007	0.009	0.011		
3.000	PS1040-38T	PS1040-68T	470	J2-10	0.006	0.009	0.011	0.013		
3.500	PS1045-38T	PS1045-68T	530	J2-10	0.007	0.010	0.012	0.015		
4.000	PS1050-38T	PS1050-68T	590	J2-10	0.008	0.011	0.014	0.016	GATING NEEDLES	
4.500	PS1055-38T	PS1055-68T	590	J2-10	0.009	0.013	0.016	0.018	UNFILLED MATLS	REINFORCED MATLS
5.000	PS1060-38T	PS1060-68T	610	J2-10	0.010	0.014	0.017	0.020	PSN-1000	PSN-1010
5.500	PS1065-38T	PS1065-68T	660	J2-10	0.011	0.015	0.019	0.022		
6.000	PS1070-38T	PS1070-68T	710	J2-10	0.012	0.017	0.020	0.024		