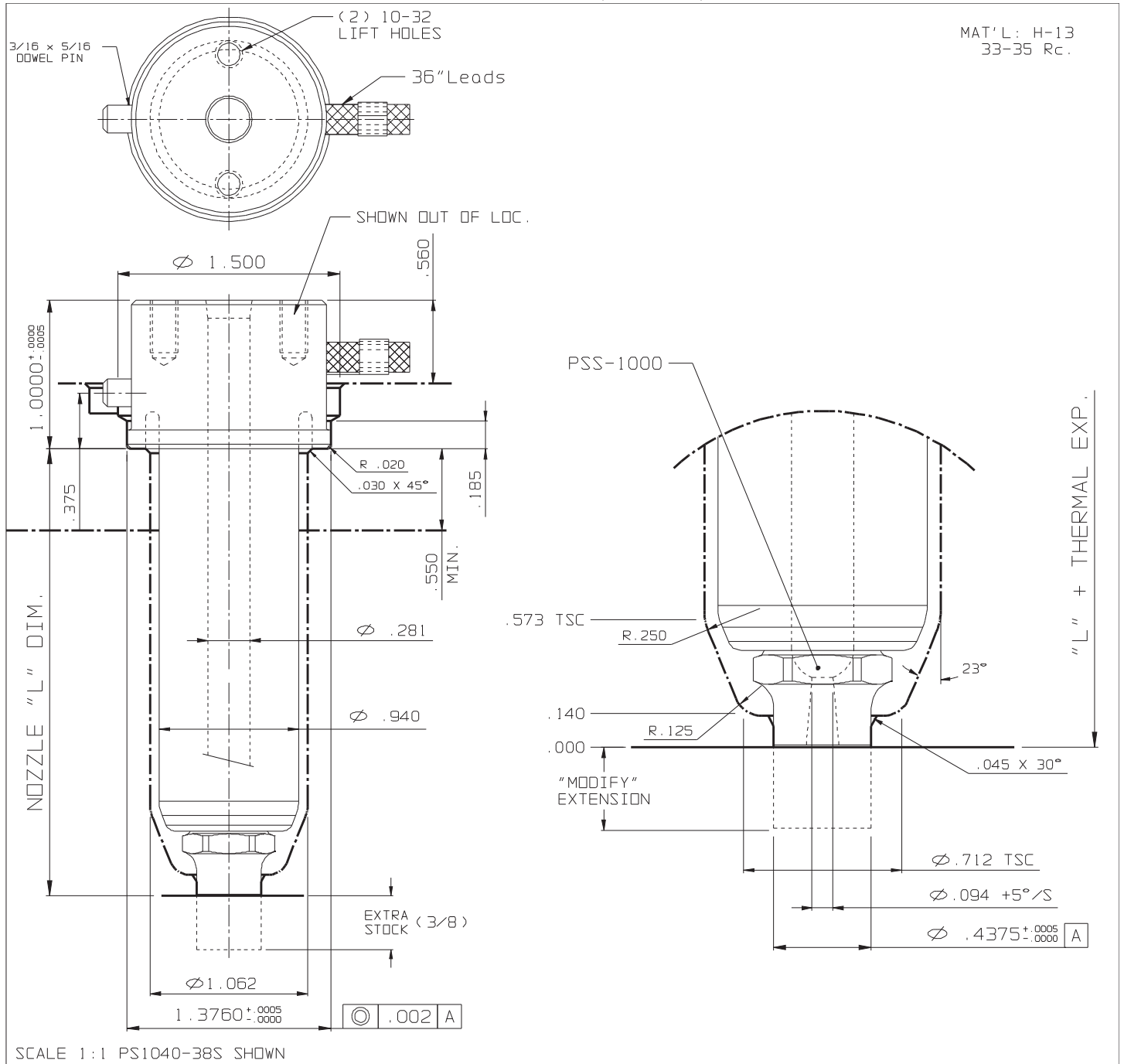


## SPRUE TYPE (Medium)



NOZZLE # (220V)					THERMAL EXPANSION ΔL @ (°F)				OPTIONS	
L	FLAT TYPE	O-RING TYPE	WATTS	T/C	370°F	460°F	550°F	640°F	END CAP	
2.000	PS1030-38S	PS1030-68S	355	J2-06	0.004	0.006	0.007	0.009	STANDARD	EXTRA STOCK
2.500	PS1035-38S	PS1035-68S	415	J2-06	0.005	0.007	0.009	0.011	PSS-1000	PSS-1000ES
3.000	PS1040-38S	PS1040-68S	470	J2-10	0.006	0.009	0.011	0.013		
3.500	PS1045-38S	PS1045-68S	530	J2-10	0.007	0.010	0.012	0.015	GATE Ø	NONE
4.000	PS1050-38S	PS1050-68S	590	J2-10	0.008	0.011	0.014	0.016		
4.500	PS1055-38S	PS1055-68S	590	J2-10	0.009	0.013	0.016	0.018	.094-.156	NONE
5.000	PS1060-38S	PS1060-68S	610	J2-10	0.010	0.014	0.017	0.020		
5.500	PS1065-38S	PS1065-68S	660	J2-10	0.011	0.015	0.019	0.022	.094-.156	NONE
6.000	PS1070-38S	PS1070-68S	710	J2-10	0.012	0.017	0.020	0.024		