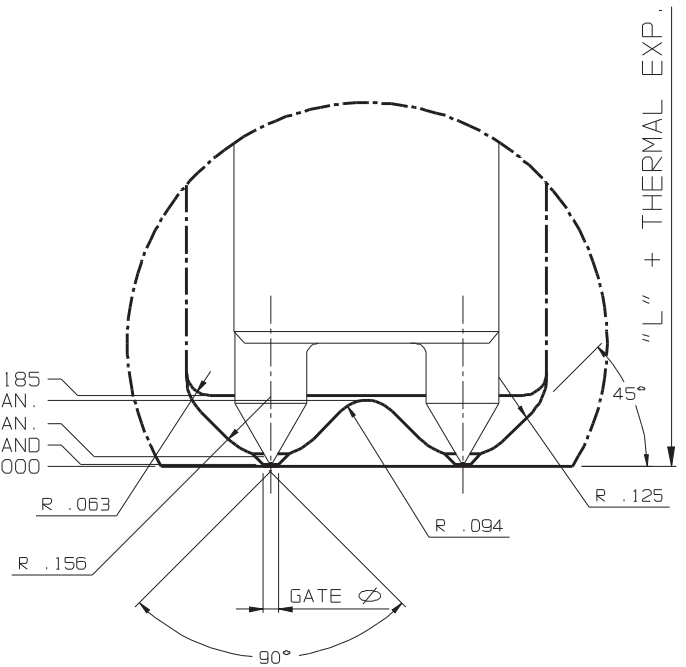
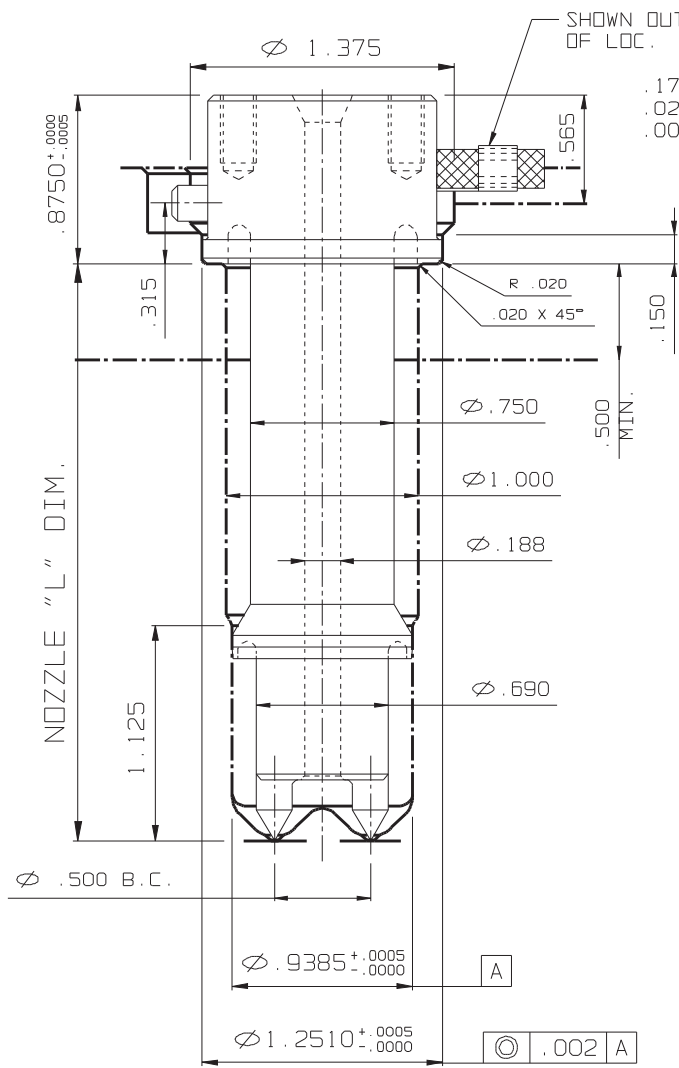
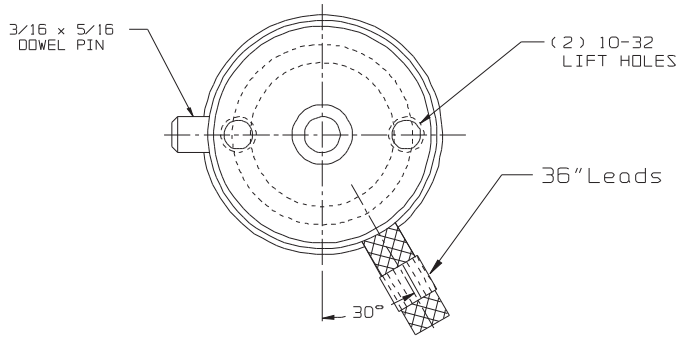
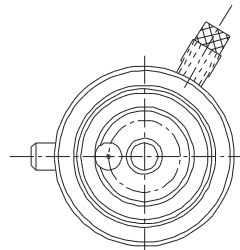


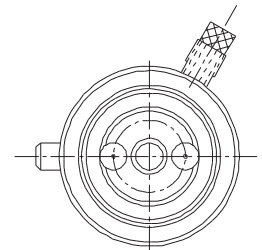
MULTI-TIP

 MAT'L: H-13
 33-35 Rc.


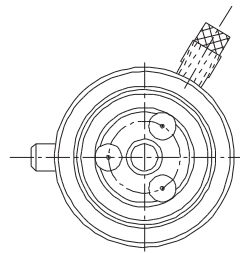
"L" + THERMAL EXP.



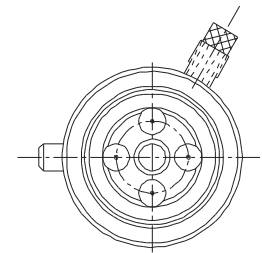
STYLE A



STYLE B



STYLE C



STYLE D

SCALE 1:1 MT7537-38B SHOWN

 * Without .9375 \varnothing Seal Ring

NOZZLE # (220 V)					THERMAL EXPANSION $\Delta L @$ (°F)				ORDERING
L	FLAT TYPE	O-RING TYPE	WATTS	T/C	370°F	460°F	550°F	640°F	When ordering, please substitute the (#) with the desired style letter to complete nozzle part number. Example: MT7527-38D
1.500*	MT7523-38(#)	MT7523-68(#)	310	J2-06	0.003	0.005	0.006	0.007	
2.000	MT7527-38(#)	MT7527-68(#)	310	J2-06	0.004	0.006	0.007	0.009	
2.500	MT7533-38(#)	MT7533-68(#)	360	J2-06	0.005	0.007	0.009	0.011	
3.000	MT7537-38(#)	MT7537-68(#)	390	J2-06	0.006	0.009	0.011	0.013	