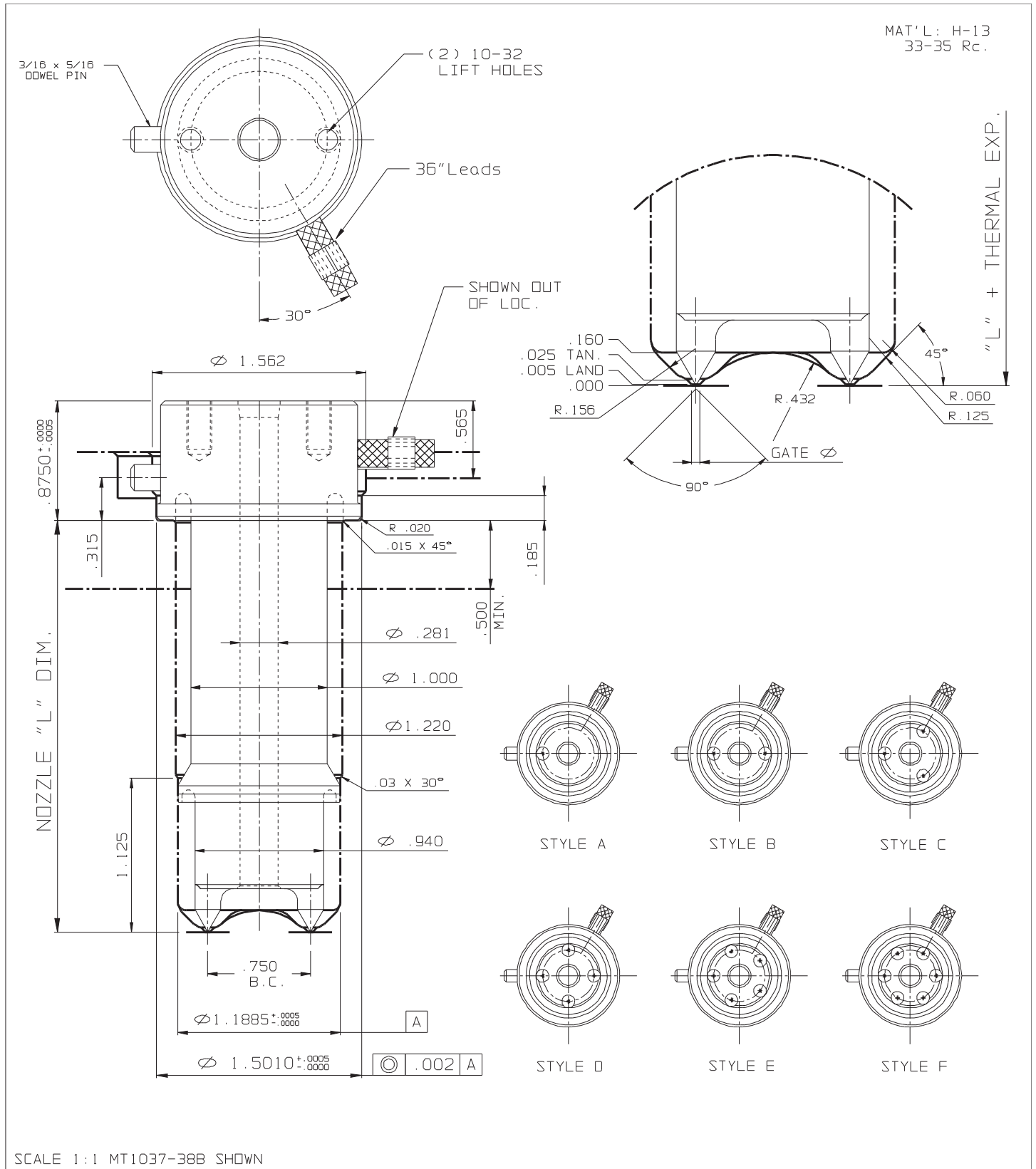


MULTI-TIP



NOZZLE # (220V)					THERMAL EXPANSION ΔL @ (°F)				ORDERING
L	FLAT TYPE	O-RING TYPE	WATTS	T/C	370°F	460°F	550°F	640°F	When ordering, please substitute the (#) with the desired style letter to complete nozzle part number. Example: MT1027-38D
2.000	MT1027-38(#)	MT1027-68(#)	340	J2-06	0.004	0.006	0.007	0.009	
2.500	MT1033-38(#)	MT1033-68(#)	400	J2-06	0.005	0.007	0.009	0.011	
3.000	MT1037-38(#)	MT1037-68(#)	455	J2-06	0.006	0.009	0.011	0.013	