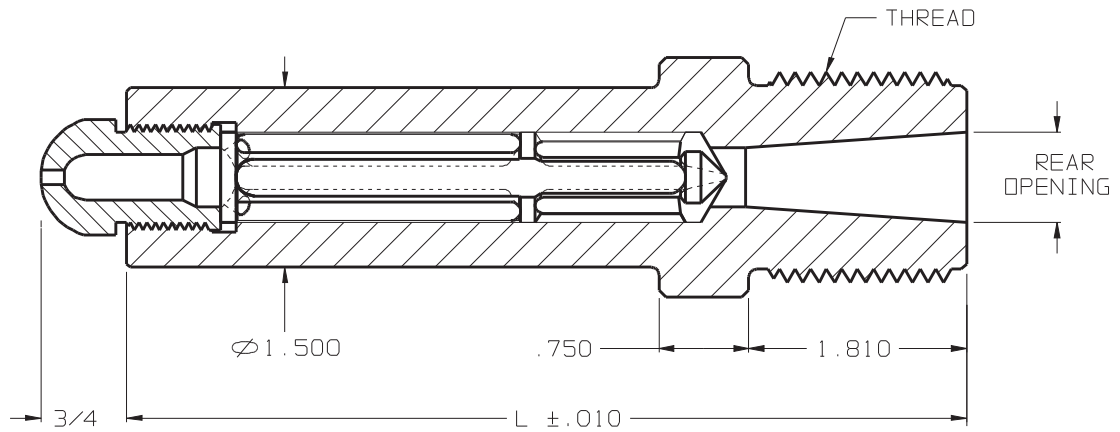


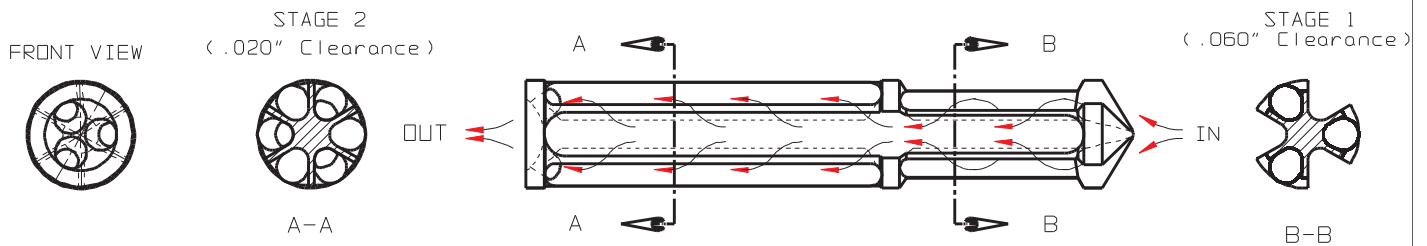
TWO STAGE NOZZLE FILTER

- Replaces existing nozzles.
- Maximum filtering area for minimum pressure drop.
- Two adjustable filtering stages for maximum filtering results.

U.S. Pat.#4,906,360



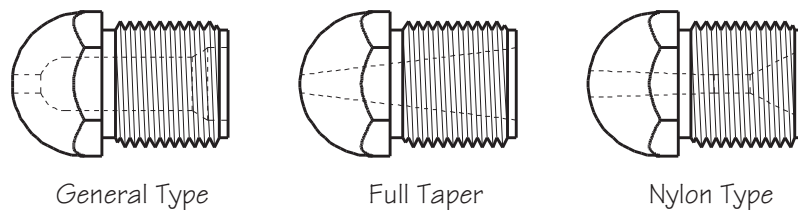
FILTERING TORPEDO



FILT. AREA	PART NO.	L	FILT. TORPEDO	WATTS	T/C	STD. THREAD	REAR OPENING
.864 in ²	MFN124 - 7.00	7.00	FT124 - 7.00	700	NTC-7	1 1/2 X 12	SPECIFY
1.344 in ²	MFN124 - 9.00	9.00	FT124 - 9.00	950		OR	
1.824 in ²	MFN124 - 11.00	11.00	FT124 - 11.00	1150			
2.304 in ²	MFN124 - 13.00	13.00	FT124 - 13.00	1400		1 3/4 X 8	

NOTE: Nozzle Filter is supplied with Filtering Torpedo, 240V Heaters, Thermocouple and Nozzle Tip.
When ordering, please specify thread, rear opening and nozzle tip from table below.

INDUSTRY'S STANDARD NOZZLE TIPS



RADIUS	GENERAL TYPE	FULL TAPER	NYLON TYPE	THREAD
1/2 R	GT-50	FT-50	NT-50	7/8 -14
3/4 R	GT-75	FT-75	NT-75	7/8 -14

Nozzle Tips are available with 1/8 and 3/16 Dia. Orifice.