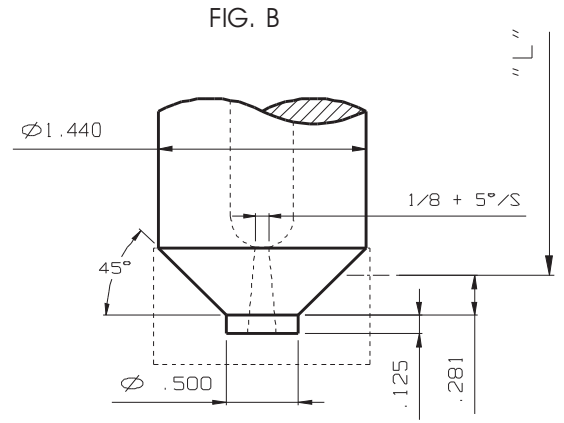
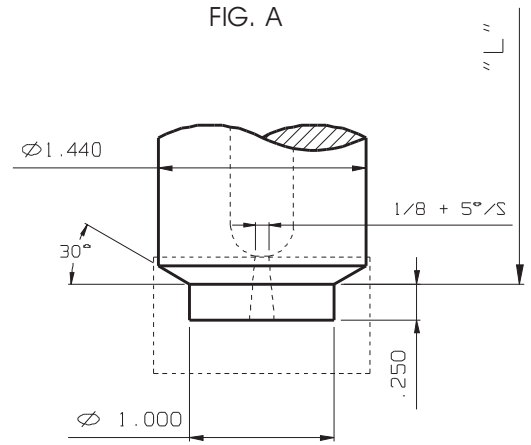
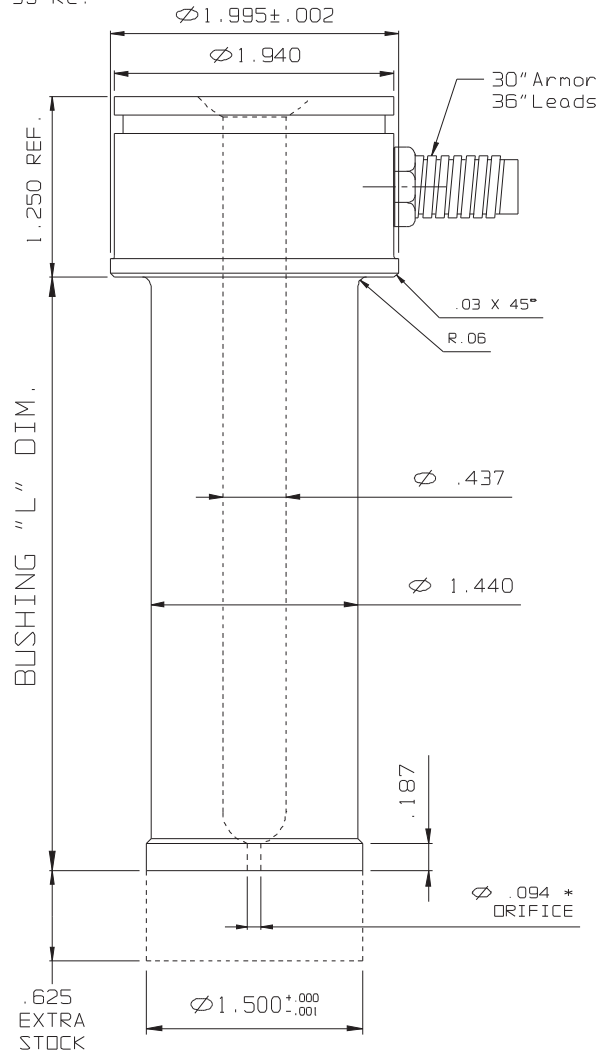


1.500 DIA. BUSHINGS

 MAT'L: H-13
 33-35 Rc.


STANDARD SIZES

L	½ SPH. RAD.	¾ SPH. RAD.	FLAT TYPE	MAN. TYPE	Watts	Volts	T/C
1.625	MB1527-50	MB1527-75	MB1527-38	MB1527-68	475	240	J2-06
2.125	MB1533-50	MB1533-75	MB1533-38	MB1533-68	550		J2-06
2.625	MB1537-50	MB1537-75	MB1537-38	MB1537-68	640		J2-06
3.125	MB1543-50	MB1543-75	MB1543-38	MB1543-68	640		J2-10
3.625	MB1547-50	MB1547-75	MB1547-38	MB1547-68	680		J2-10
4.125	MB1553-50	MB1553-75	MB1553-38	MB1553-68	760		J2-10
4.625	MB1557-50	MB1557-75	MB1557-38	MB1557-68	760		J2-10
5.125	MB1563-50	MB1563-75	MB1563-38	MB1563-68	760		J2-10
5.625	MB1567-50	MB1567-75	MB1567-38	MB1567-68	830		J2-10
6.125	MB1573-50	MB1573-75	MB1573-38	MB1573-68	830		J2-10
6.625	MB1577-50	MB1577-75	MB1577-38	MB1577-68	830		J2-10
7.125	MB1583-50	MB1583-75	MB1583-38	MB1583-68	830		J2-10
7.625	MB1587-50	MB1587-75	MB1587-38	MB1587-68	900		J2-14
8.125	MB1593-50	MB1593-75	MB1593-38	MB1593-68	900		J2-14
8.625	MB1597-50	MB1597-75	MB1597-38	MB1597-68	900		J2-14

*Orifice is not drilled in bushings with extra stock.
 A replaceable T/C is installed with each bushing.
 When machining stock is required at the tip of a sprue bushing, add the suffix "ES" to the bushing part number. Example: MB1587-75ES.

FOR SPECIAL SIZES AND/OR DIMENSIONS, PLEASE CALL MDI.

SCALE 3/4:1 MB1557-50 SHOWN