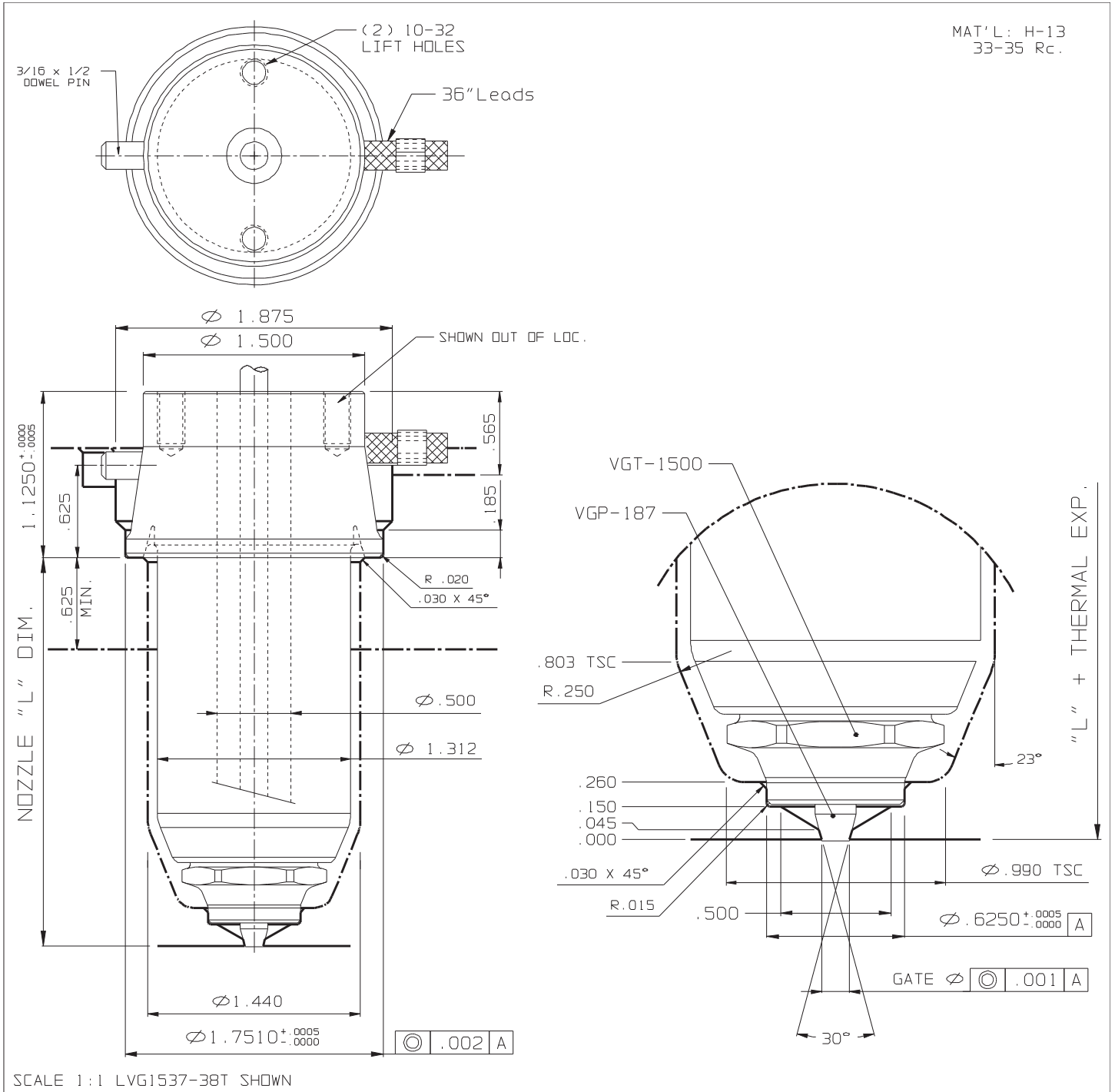


## VALVE GATE TOPLESS (Extra Large)



NOZZLE # (220V)					THERMAL EXPANSION ΔL @ (°F)				OPTIONS	
L	FLAT TYPE	O-RING TYPE	WATTS	T/C	370°F	460°F	550°F	640°F	END CAP	GATE Ø
1.625	LVG1527-38T	LVG1527-68T	410	J2-06	0.003	0.005	0.006	0.007	VGT-1500	.125-.156
2.125	LVG1533-38T	LVG1533-68T	450	J2-06	0.004	0.006	0.007	0.009	VALVE PIN	
2.625	LVG1537-38T	LVG1537-68T	480	J2-06	0.005	0.007	0.009	0.011		
3.125	LVG1543-38T	LVG1543-68T	530	J2-10	0.006	0.009	0.011	0.013	VGP-187	
3.625	LVG1547-38T	LVG1547-68T	560	J2-10	0.007	0.010	0.012	0.015		
4.125	LVG1553-38T	LVG1553-68T	600	J2-10	0.008	0.011	0.014	0.016	STABILIZER	
4.625	LVG1557-38T	LVG1557-68T	630	J2-10	0.009	0.013	0.016	0.018		
5.125	LVG1563-38T	LVG1563-68T	650	J2-10	0.010	0.014	0.017	0.020	LVGN-1500	