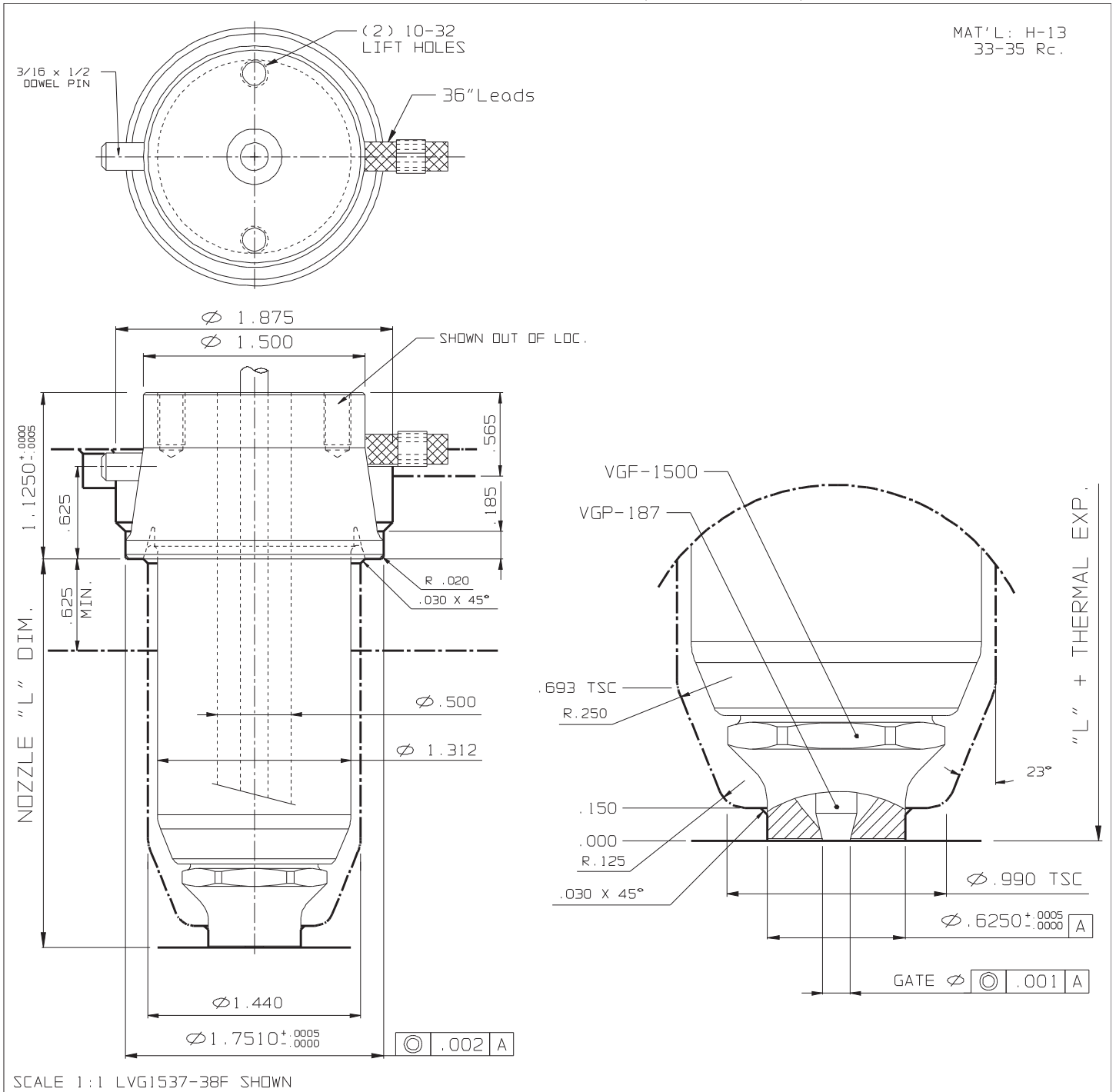


VALVE GATE FULL BODY (Extra Large)



NOZZLE # (220V)					THERMAL EXPANSION ΔL @ (°F)				OPTIONS	
L	FLAT TYPE	O-RING TYPE	WATTS	T/C	370°F	460°F	550°F	640°F	END CAP	GATE ∅
1.625	LVG1527-38F	LVG1527-68F	410	J2-06	0.003	0.005	0.006	0.007	VGF-1500	.125
2.125	LVG1533-38F	LVG1533-68F	450	J2-06	0.004	0.006	0.007	0.009		
2.625	LVG1537-38F	LVG1537-68F	480	J2-06	0.005	0.007	0.009	0.011	VALVE PIN	
3.125	LVG1543-38F	LVG1543-68F	530	J2-10	0.006	0.009	0.011	0.013	VGP-187	
3.625	LVG1547-38F	LVG1547-68F	560	J2-10	0.007	0.010	0.012	0.015	STABILIZER	
4.125	LVG1553-38F	LVG1553-68F	600	J2-10	0.008	0.011	0.014	0.016	LVGN-1500	
4.625	LVG1557-38F	LVG1557-68F	630	J2-10	0.009	0.013	0.016	0.018		
5.125	LVG1563-38F	LVG1563-68F	650	J2-10	0.010	0.014	0.017	0.020		