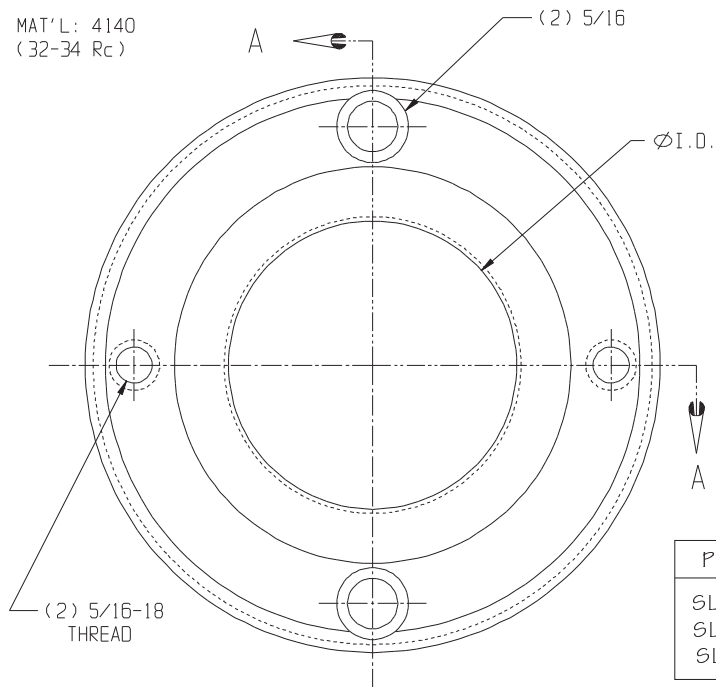
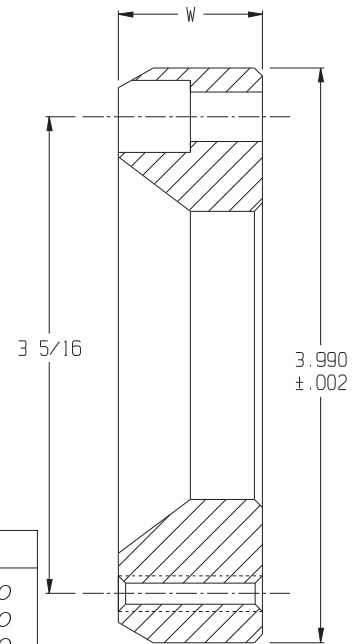


INTERFACING COMPONENTS

LOCATING RING

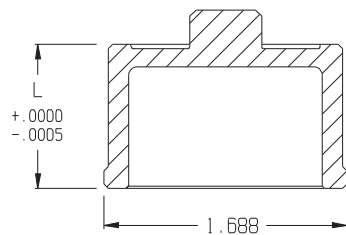
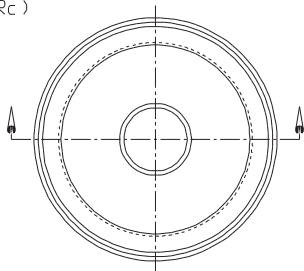
 MAT'L: 4140
(32-34 Rc)


PART NO	I.D.	W
SLR-2000	2.000	1.00
SLR-2040	1.450	1.00
SLR-1040	1.070	1.00



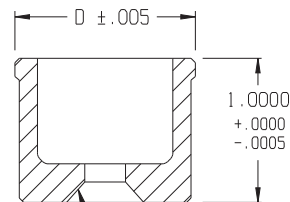
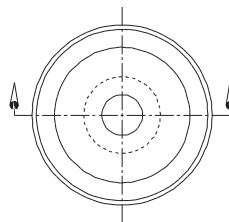
A-A

 MANIFOLD
CENTER SUPPORT

 MAT'L: H-13
(50-52 Rc)


PART NO.	L
MCS-1000	1.00
MCS-750	.750
MCS-625	.625
MCS-500	.500

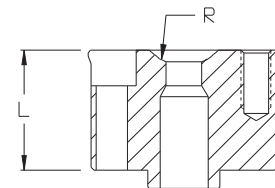
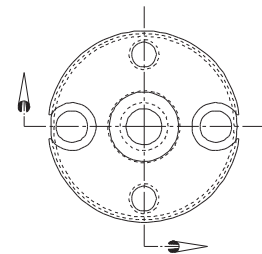
INSULATOR

 MAT'L: 4140
(50-52 Rc)


USE 1/4-20

PART NO.	D
MIP-1000	1.250
MIP-1687	1.688

INTAKE NOZZLE

 MAT'L: H-13
(50-52 Rc)


STANDARD SIZES

L	½ RAD.	¾ RAD.
1.000	MIN210-50	MIN210-75
1.250	MIN212-50	MIN212-75
1.500	MIN214-50	MIN214-75
1.750	MIN216-50	MIN216-75
2.000	MIN220-50	MIN220-75