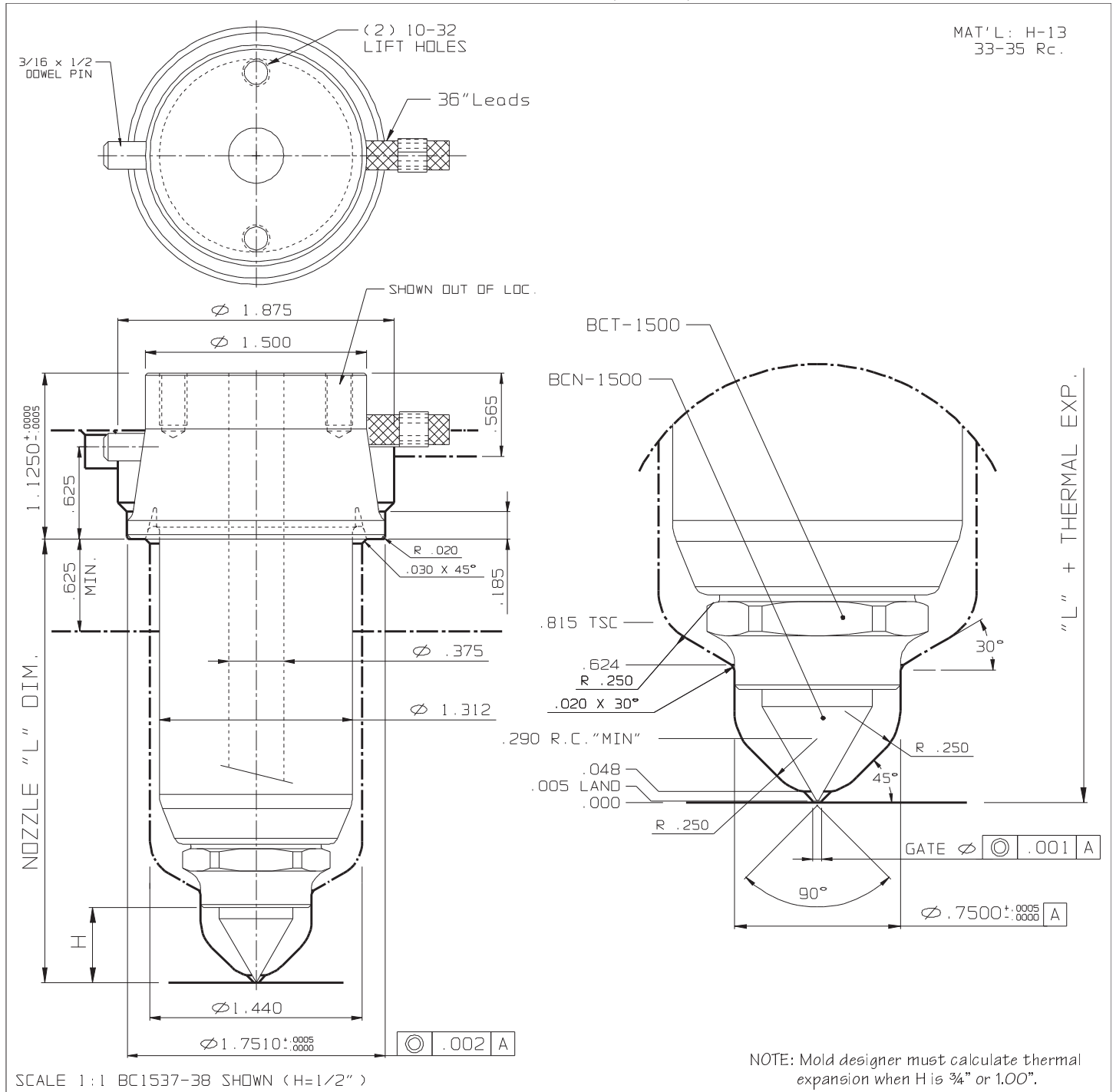


EXTENDED TIP (Large)



NOZZLE # (220V)					THERMAL EXPANSION ΔL @ (°F)				OPTIONS		
L	FLAT TYPE	O-RING TYPE	WATTS	T/C	370°F	460°F	550°F	640°F	END CAP	GATE Ø	
2.000	BC1527-38	BC1527-68	410	J2-06	0.004	0.006	0.007	0.008	BCT-1500	.060 - .125	
2.500	BC1533-38	BC1533-68	450	J2-06	0.005	0.007	0.009	0.010			
3.000	BC1537-38	BC1537-68	480	J2-06	0.006	0.008	0.010	0.012			
3.500	BC1543-38	BC1543-68	530	J2-10	0.007	0.010	0.012	0.014			
4.000	BC1547-38	BC1547-68	560	J2-10	0.008	0.011	0.013	0.016	GATING NEEDLES		
4.500	BC1553-38	BC1553-68	600	J2-10	0.009	0.012	0.015	0.018	H	UNFILLED MATLS	REINFORCED MATLS
5.000	BC1557-38	BC1557-68	630	J2-10	0.010	0.014	0.017	0.020	1/2	BCN-1500	BCN-1510
5.500	BC1563-38	BC1563-68	650	J2-10	0.011	0.015	0.018	0.022	3/4	BCN-1501	BCN-1511
									1.0	BCN-1502	BCN-1512