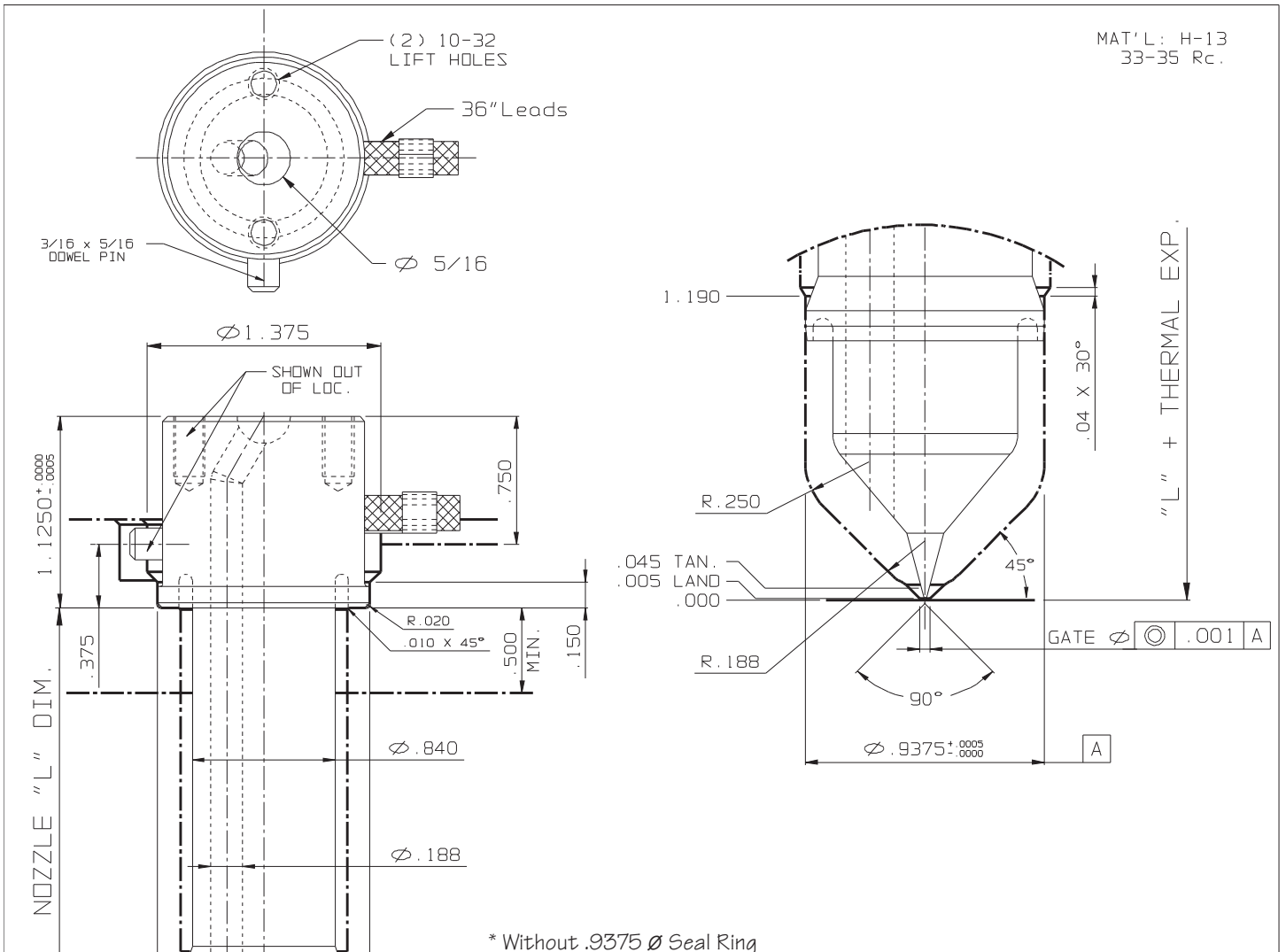


## SPECIAL APPLICATIONS



\* Without .9375 Ø Seal Ring

NOZZLE # (220V)				THERMAL EXPANSION ΔL @ (°F)			
L	FLAT TYPE	WATTS	T/C	370°F	460°F	550°F	640°F
1.250*	TR4023-38	250	J2-06	0.003	0.004	0.005	0.006
1.750*	TR4027-38	300	J2-06	0.004	0.005	0.007	0.008
2.250	TR4033-38	320	J2-06	0.005	0.007	0.008	0.010
2.750	TR4037-38	350	J2-10	0.006	0.008	0.010	0.012
3.250	TR4043-38	370	J2-10	0.007	0.009	0.011	0.014
3.750	TR4047-38	400	J2-10	0.008	0.011	0.013	0.016
4.250	TR4053-38	430	J2-10	0.009	0.012	0.015	0.018
4.750	TR4057-38	450	J2-10	0.010	0.013	0.016	0.019
5.250	TR4063-38	470	J2-10	0.011	0.015	0.018	0.021
5.750	TR4067-38	500	J2-10	0.012	0.016	0.020	0.023
6.250	TR4073-38	520	J2-14	0.013	0.017	0.021	0.025
6.750	TR4077-38	550	J2-14	0.013	0.019	0.023	0.027
7.250	TR4083-38	570	J2-14	0.014	0.020	0.025	0.029
7.750	TR4087-38	600	J2-14	0.015	0.021	0.026	0.031
8.250	TR4093-38	630	J2-14	0.016	0.023	0.028	0.033
8.750	TR4097-38	650	J2-14	0.017	0.024	0.029	0.035

.002 A

 Ø 1.2510<sup>+0.0005</sup>

SCALE 1:1 TR4043-38 SHOWN

OFFSET TIP OPTION

