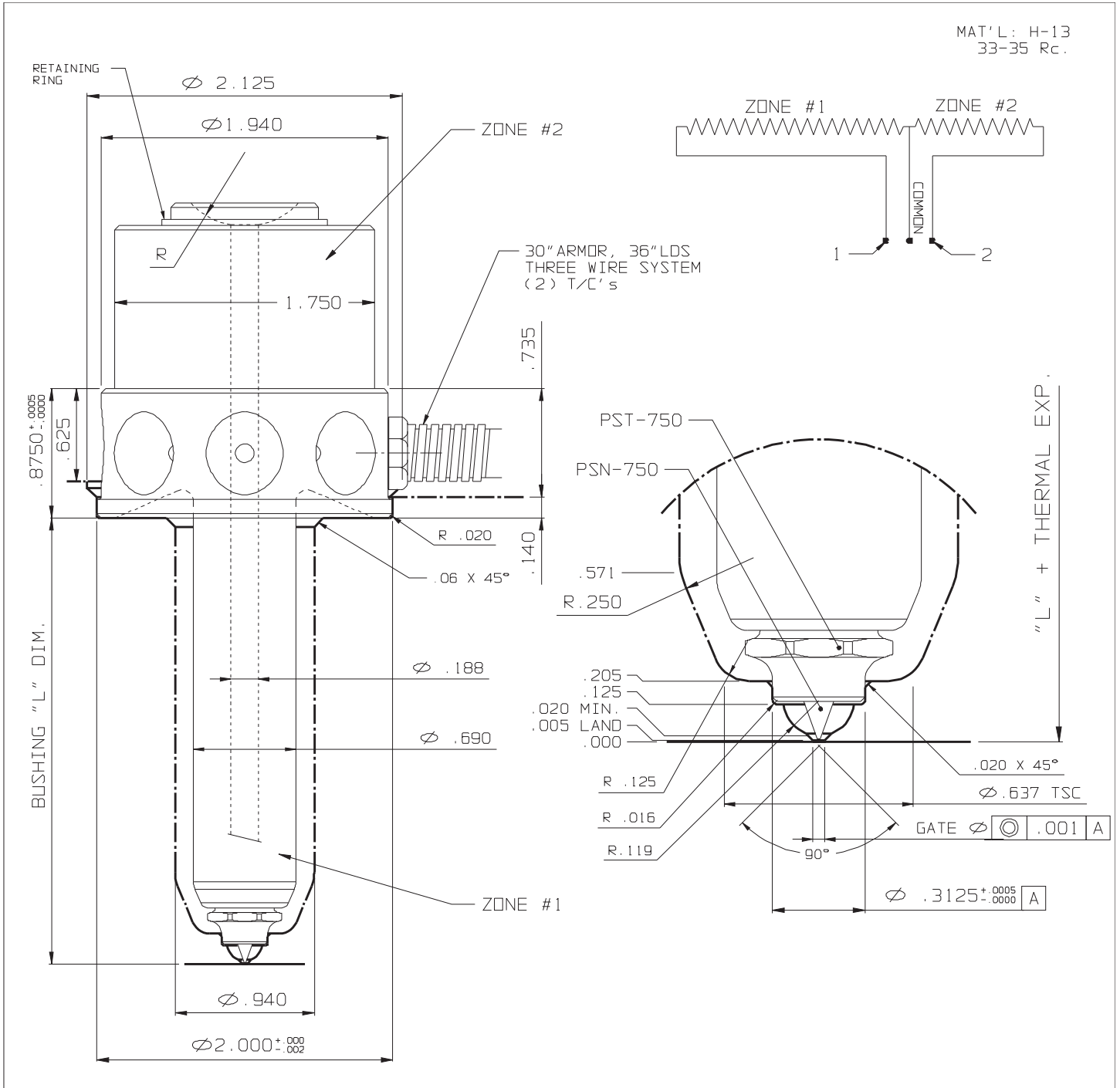


TOPLESS (Small)



SCALE 1:1 MD7537-50T SHOWN

N O Z Z L E #					THERMAL EXPANSION ΔL @ (°F)				OPTIONS	
L	1/2" SPH. RAD.	3/4" SPH. RAD.	(220 V)		370°F	460°F	550°F	640°F	END CAP	GATE \varnothing
			WATTS	T/C						
1.500	MD7523-50T	MD7523-75T	640	J2-06	0.003	0.005	0.006	0.007	PST-750	.040
2.000	MD7527-50T	MD7527-75T	700	J2-10	0.004	0.006	0.007	0.009	GATING NEEDLES	
2.500	MD7533-5T	MD7533-75T	720	J2-10	0.005	0.007	0.009	0.011		
3.000	MD7537-50T	MD7537-75T	740	J2-10	0.006	0.009	0.011	0.013	UNFILLED MATLS	REINFORCED MATLS
3.500	MD7543-50T	MD7543-75T	770	J2-10	0.007	0.010	0.012	0.015	PST-750	PSN-760
4.000	MD7547-50T	MD7547-75T	800	J2-10	0.008	0.011	0.014	0.016		