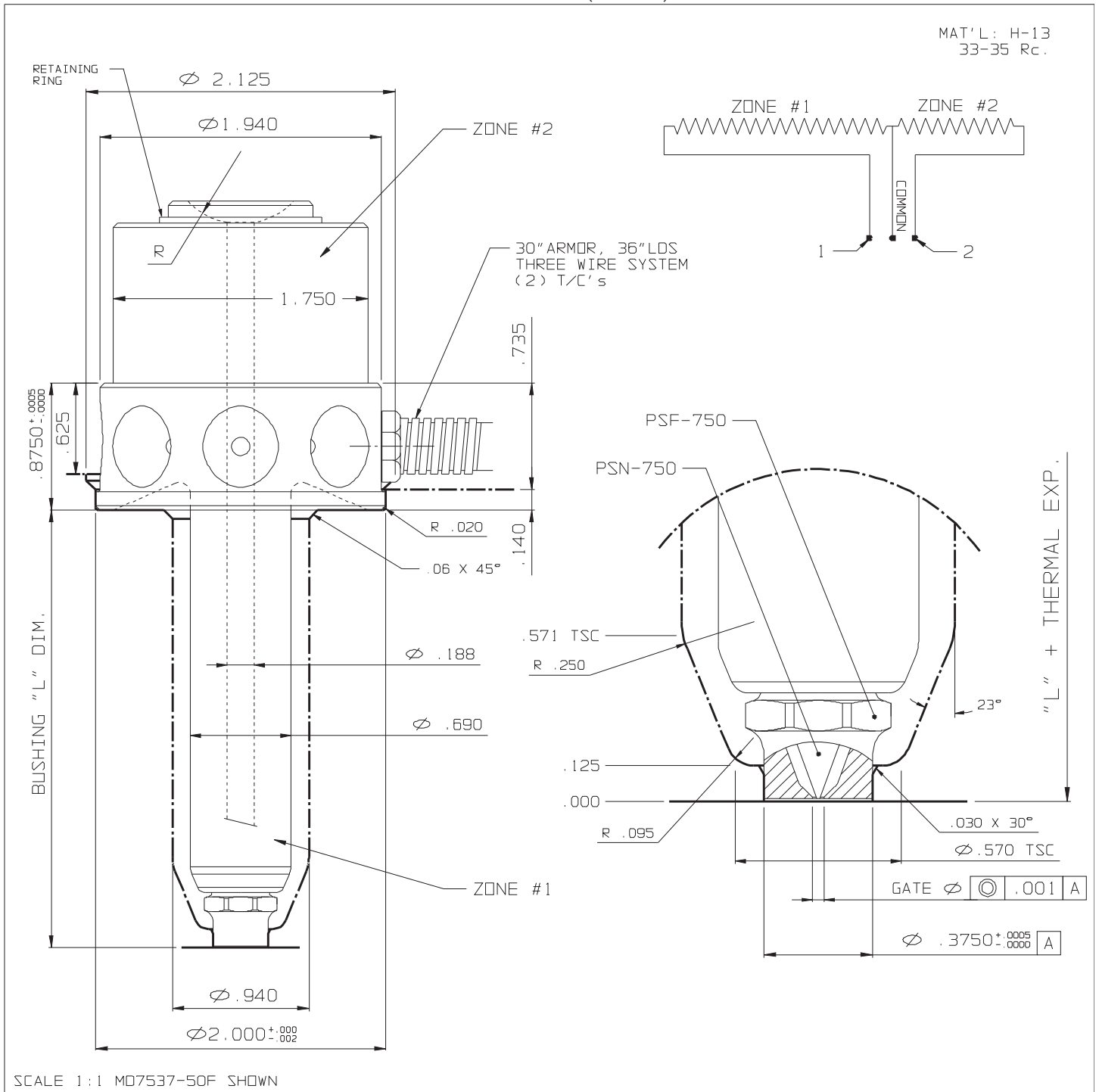


FULL BODY (Small)



NOZZLE # (220 V)					THERMAL EXPANSION ΔL @ (°F)				OPTIONS	
L	1/2" SPH. RAD.	3/4" SPH. RAD.	WATTS	T/C	370°F	460°F	550°F	640°F	END CAP	GATE \varnothing
1.500	MD7523-50F	MD7523-75F	640	J2-06	0.003	0.005	0.006	0.007	PSF-750	.040
2.000	MD7527-50F	MD7527-75F	700	J2-10	0.004	0.006	0.007	0.009	GATING NEEDLES	
2.500	MD7533-50F	MD7533-75F	720	J2-10	0.005	0.007	0.009	UNFILLED MATLS		
3.000	MD7537-50F	MD7537-75F	740	J2-10	0.006	0.009	0.011	0.013	PSN-750	PSN-760
3.500	MD7543-50F	MD7543-75F	770	J2-10	0.007	0.010	0.012	0.015		
4.000	MD7547-50F	MD7547-75F	800	J2-10	0.008	0.011	0.014	0.016		