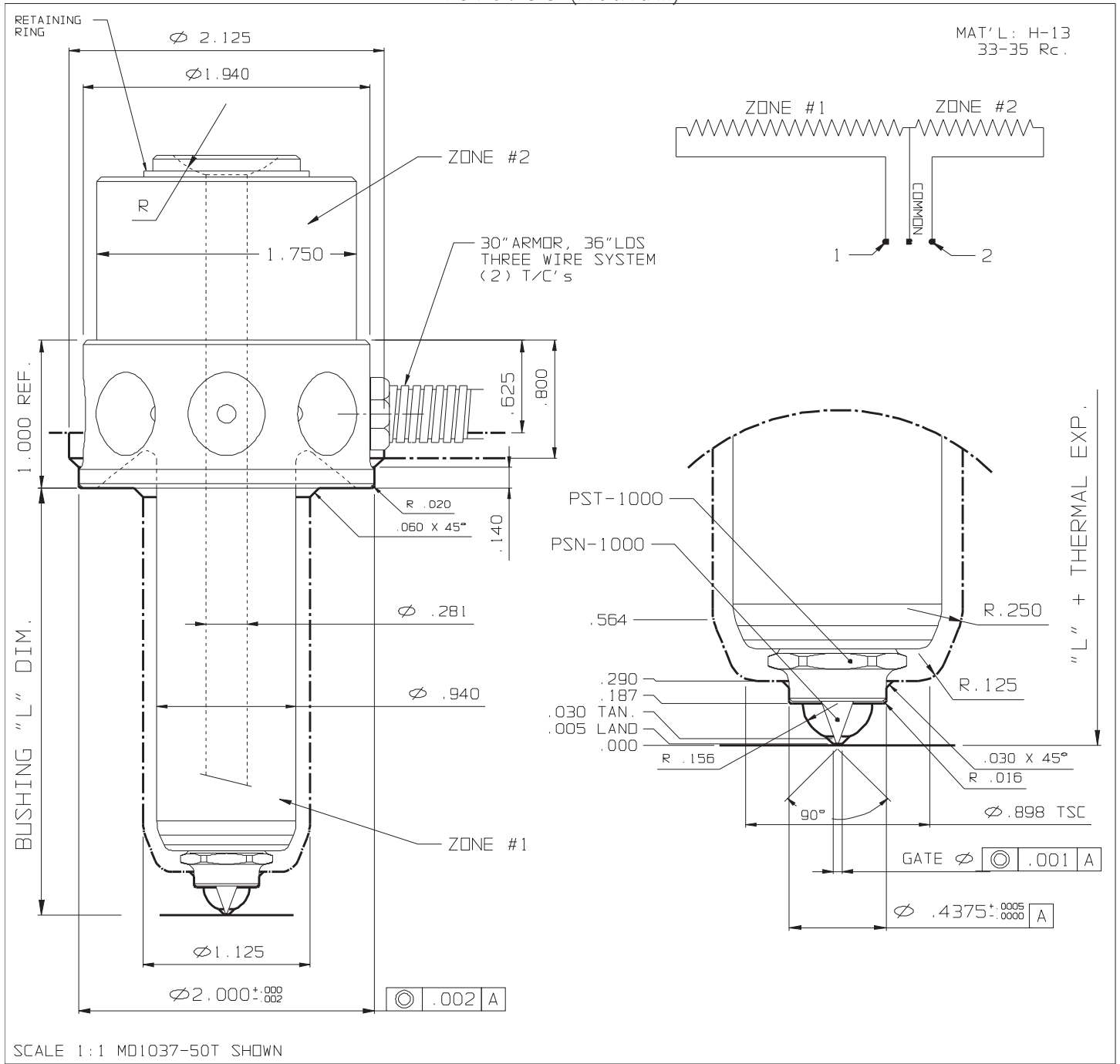


TOPLESS (Medium)



BUSHING # (220V)					THERMAL EXPANSION ΔL @ (°F)				OPTIONS	
L	½" SPH. RAD.	¾" SPH. RAD.	WATTS	T/C	370°F	460°F	550°F	640°F	END CAPS	
1.375	MD1023-50T	MD1023-75T	545	J2-06	0.004	0.006	0.007	0.009	STANDARD	GATE Ø
1.875	MD1027-50T	MD1027-75T	565	J2-06	0.005	0.007	0.009	0.011	PST-1000	.030-.060
2.375	MD1033-50T	MD1033-75T	595	J2-10	0.006	0.009	0.011	0.013		
2.875	MD1037-50T	MD1037-75T	640	J2-10	0.007	0.010	0.012	0.015	GATING NEEDLES	
3.375	MD1043-50T	MD1043-75T	660	J2-10	0.008	0.011	0.014	0.016		
3.875	MD1047-50T	MD1047-75T	685	J2-10	0.009	0.013	0.016	0.018	UNFILLED MATLS	REINFORCED MATLS
4.375	MD1053-50T	MD1053-75T	710	J2-10	0.010	0.014	0.017	0.020	PSN-1000	PSN-1010
4.875	MD1057-50T	MD1057-75T	735	J2-10	0.011	0.015	0.019	0.022		
5.375	MD1063-50T	MD1063-75T	760	J2-10	0.012	0.017	0.020	0.024		