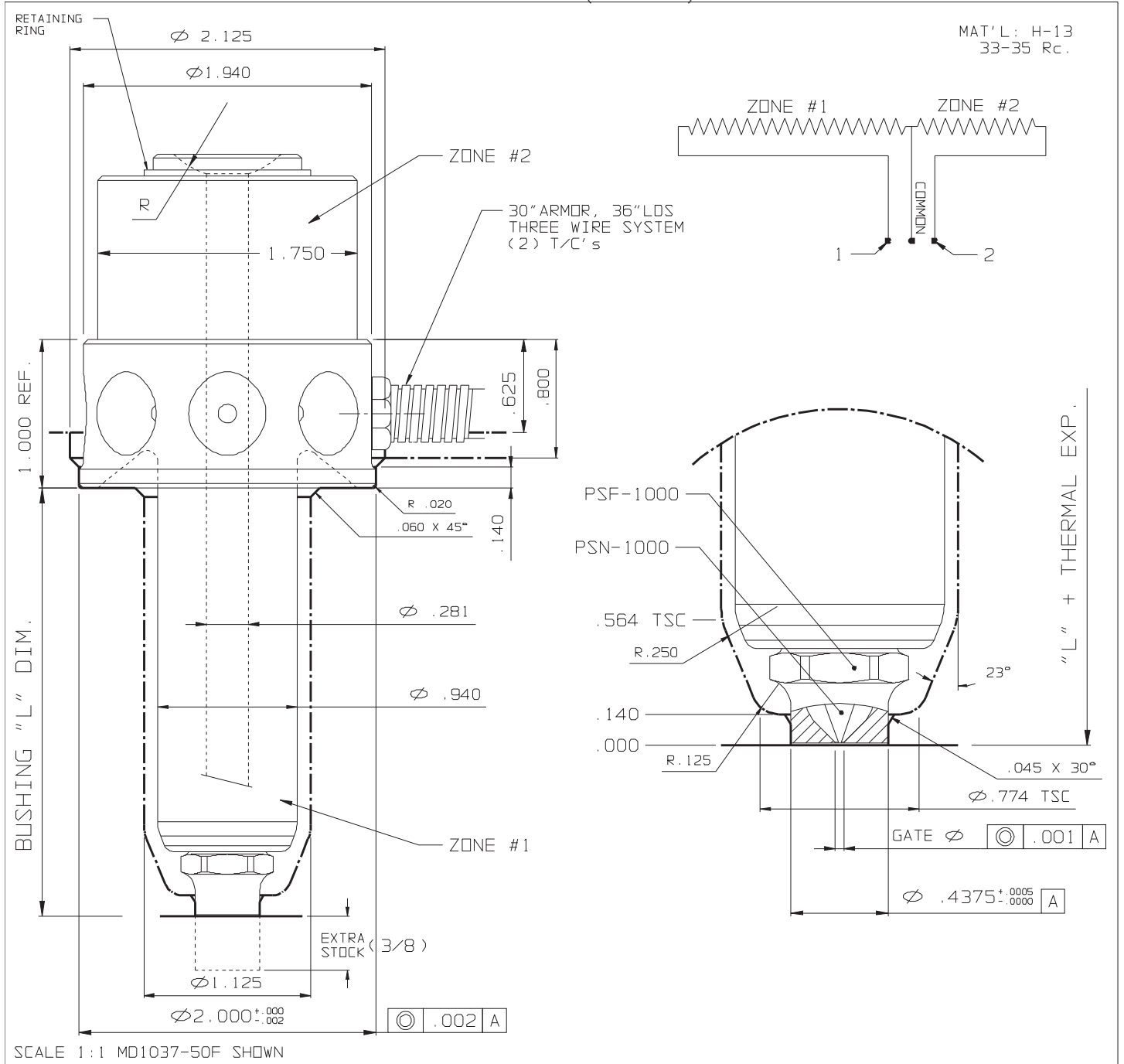


FULL BODY (Medium)



BUSHING # (220V)					THERMAL EXPANSION ΔL @ (°F)				OPTIONS	
L	½" SPH. RAD.	¾" SPH. RAD.	WATTS	T/C	370°F	460°F	550°F	640°F	END CAPS	
1.375	MD1023-50F	MD1023-75F	545	J2-06	0.004	0.006	0.007	0.009	STANDARD	GATE Ø
1.875	MD1027-50F	MD1027-75F	565	J2-06	0.005	0.007	0.009	0.011	PSF-1000	.040
2.375	MD1033-50F	MD1033-75F	595	J2-10	0.006	0.009	0.011	0.013		
2.875	MD1037-50F	MD1037-75F	640	J2-10	0.007	0.010	0.012	0.015	GATING NEEDLES	
3.375	MD1043-50F	MD1043-75F	660	J2-10	0.008	0.011	0.014	0.016		
3.875	MD1047-50F	MD1047-75F	685	J2-10	0.009	0.013	0.016	0.018	UNFILLED MATLS	REINFORCED MATLS
4.375	MD1053-50F	MD1053-75F	710	J2-10	0.010	0.014	0.017	0.020	PSN-1000	PSN-1010
4.875	MD1057-50F	MD1057-75F	735	J2-10	0.011	0.015	0.019	0.022		
5.375	MD1063-50F	MD1063-75F	760	J2-10	0.012	0.017	0.020	0.024		