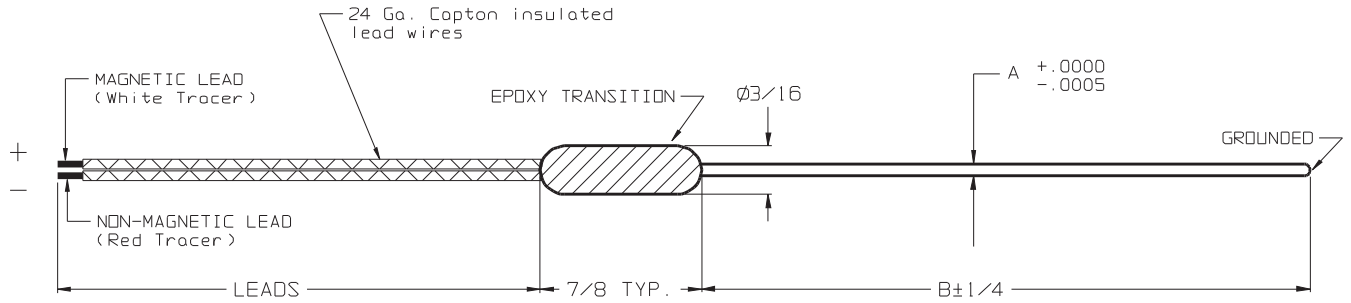


THERMOCOUPLES

The following thermocouples can be used with all Melt Design products.
See specific product page for details



| PART NO | | PROBE SPECS | |
|-----------|------------|-------------|----|
| 48" LEADS | 108" LEADS | A | B |
| J2-06-48 | J2-06-108 | | 6 |
| J2-10-48 | J2-10-108 | .020 | 10 |
| J2-14-48 | J2-14-108 | | 14 |
| N/A | J6-10-108 | | 10 |
| | J6-16-108 | .060 | 14 |
| | J6-24-108 | | 24 |

Note: Type K thermocouples also available upon request.

