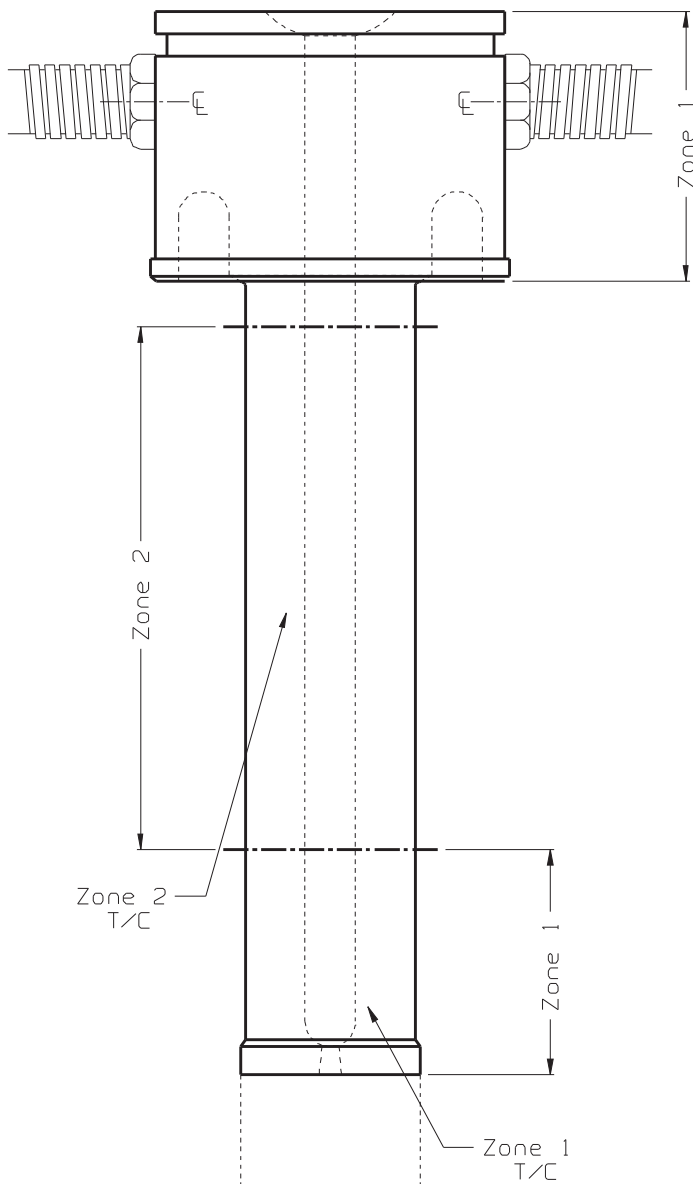


## DUAL ZONE BUSHINGS

.750 / 1.000 / 1.500 DIA. BUSHINGS



The dual zone hot sprue bushing has been designed for applications that demand a higher degree of temperature uniformity. The two independent zones operate at the same voltage (240v or 120v) and they are monitored by individual replaceable thermocouples. With this arrangement each zone will respond to any heat drainage instantly without affecting the other one, thus avoiding overheating or freeze-off problems. The dual zone construction, is advantageous when extra long nozzles are needed and engineering resins are being processed.

Heaters, at the tip end of the bushing and at the head area, are internally connected so they are energized at the same time for finer heat adjustments.

Melt Design offers made-to-order dual zone bushings on any of the three major body diameters and all head and tip configurations listed throughout this catalog. For your specific requirements please call the factory for engineering assistance, lead time and pricing.