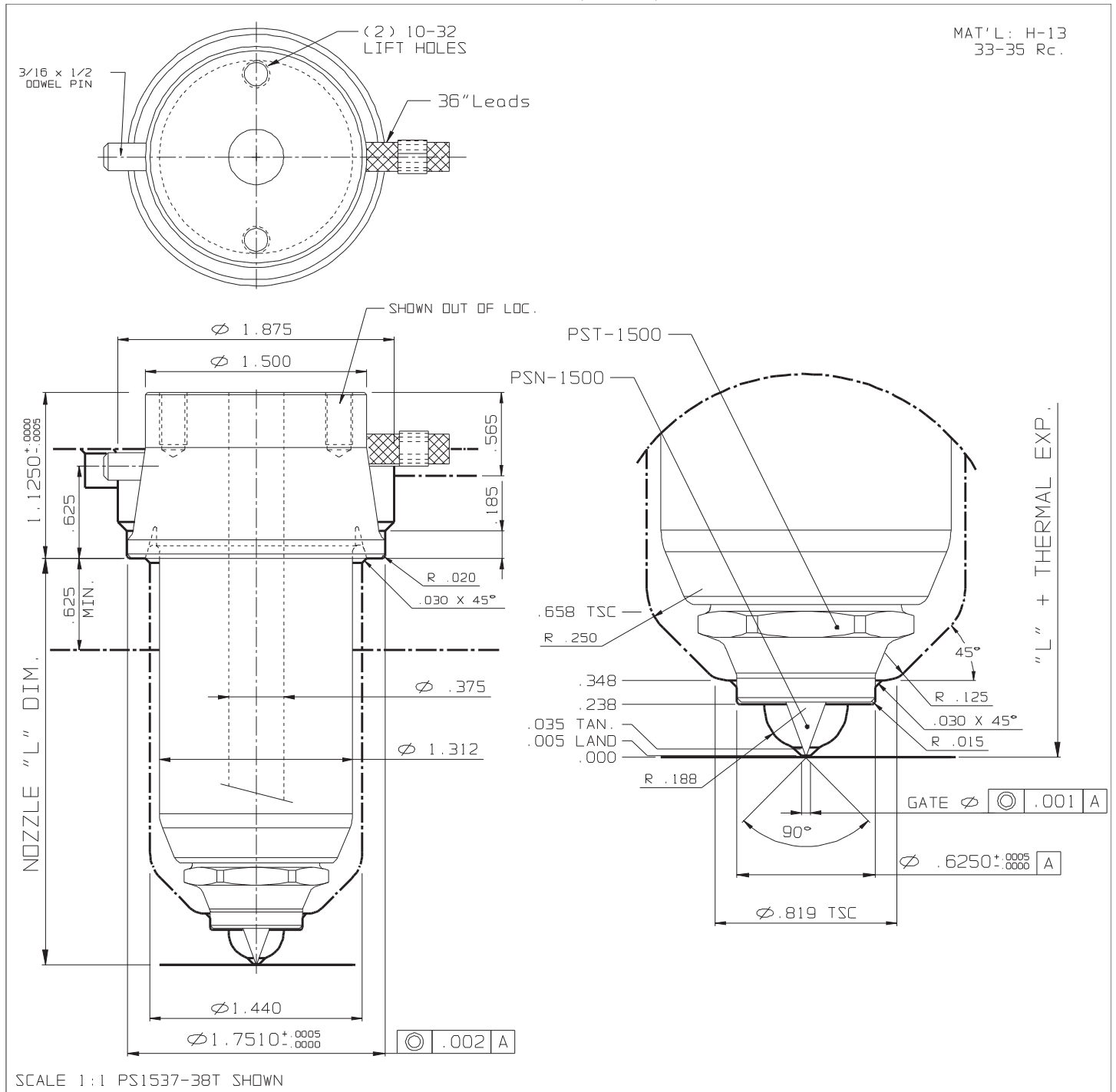


TOPLESS (Large)



NOZZLE # (220V)					THERMAL EXPANSION ΔL @ (°F)				OPTIONS	
L	FLAT TYPE	O-RING TYPE	WATTS	T/C	370°F	460°F	550°F	640°F	END CAP	GATE Ø
1.750	PS1527-38T	PS1527-68T	410	J2-06	0.004	0.005	0.007	0.008		
2.250	PS1533-38T	PS1533-68T	450	J2-06	0.005	0.007	0.008	0.010	PST-1500	.040 - .094
2.750	PS1537-38T	PS1537-68T	480	J2-06	0.006	0.008	0.010	0.012		
3.250	PS1543-38T	PS1543-68T	530	J2-10	0.007	0.009	0.011	0.014		
3.750	PS1547-38T	PS1547-68T	560	J2-10	0.008	0.011	0.013	0.016		
4.250	PS1553-38T	PS1553-68T	600	J2-10	0.009	0.012	0.015	0.017		
4.750	PS1557-38T	PS1557-68T	630	J2-10	0.010	0.013	0.016	0.019		
5.250	PS1563-38T	PS1563-68T	650	J2-10	0.011	0.015	0.018	0.021		
GATING NEEDLES										
UNFILLED MAT'LS REINFORCED MAT'LS										
PSN-1500 PSN-1510										