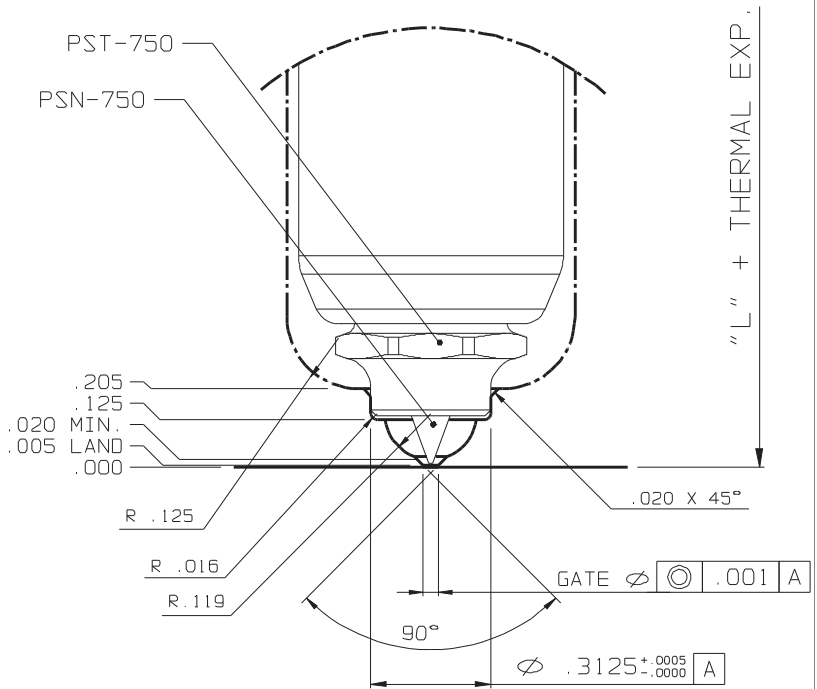
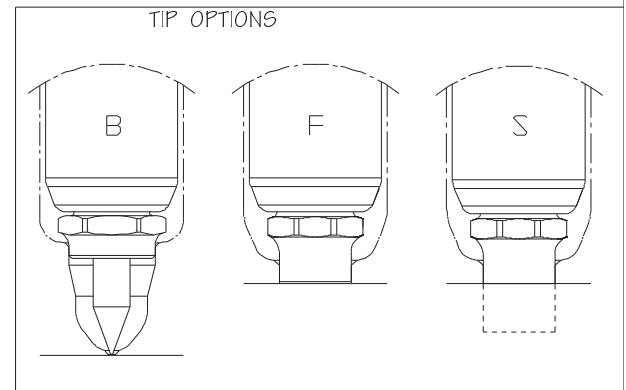
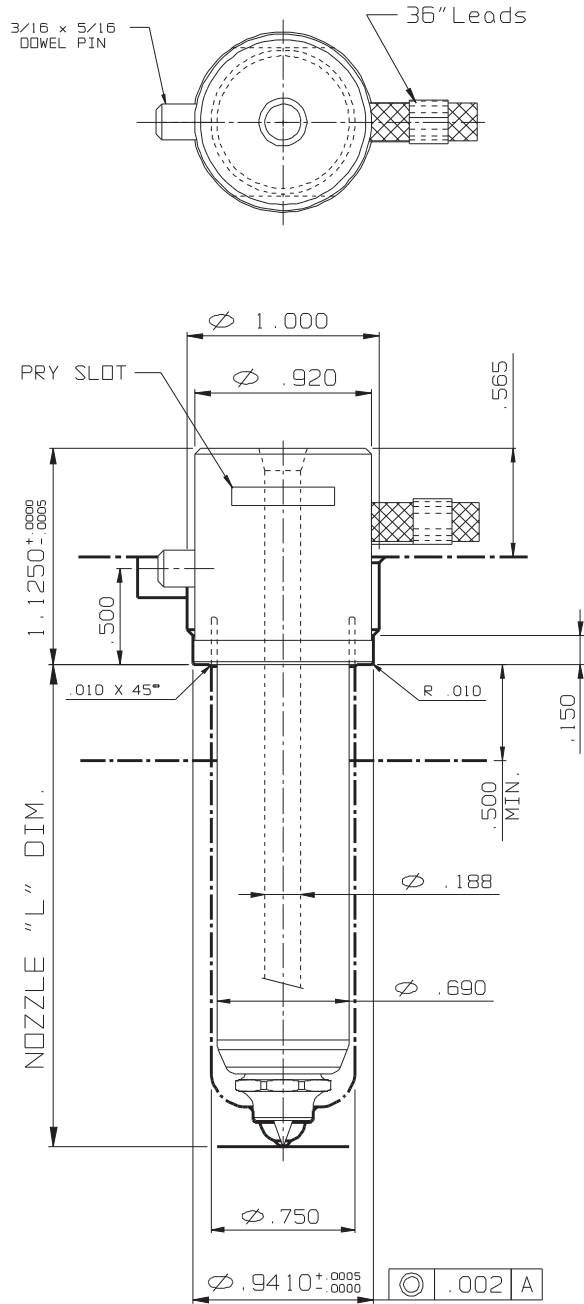


## MINI SERIES

 MAT'L: H-13  
 33-35 Rc.


SCALE 1:1 PM7535-38T SHOWN

 ORDERING: When ordering, please substitute the (#) with the desired style letter to complete nozzle part number.  
 Example: PM7521-38B

NOZZLE # (220 V)					THERMAL EXPANSION ΔL @ (°F)				OPTIONS	
L	FLAT TYPE	O-RING TYPE	WATTS	T/C	370°F	460°F	550°F	640°F	END CAP	GATE Ø
1.000	PM7521-38(#)	PM7521-68(#)	220	J2-06	0.002	0.003	0.004	0.005	PST-750	.030-.060
1.500	PM7525-38(#)	PM7525-68(#)	250	J2-06	0.003	0.005	0.006	0.007		
2.000	PM7531-38(#)	PM7531-68(#)	310	J2-06	0.004	0.006	0.007	0.009		
2.500	PM7535-38(#)	PM7535-68(#)	330	J2-06	0.005	0.007	0.009	0.011		
3.000	PM7541-38(#)	PM7541-68(#)	350	J2-10	0.006	0.009	0.011	0.013	GATING NEEDLES	
3.500	PM7545-38(#)	PM7545-68(#)	380	J2-10	0.007	0.010	0.012	0.015	UNFILLED MAT'LS	REINFORCED MAT'LS
4.000	PM7551-38(#)	PM7551-68(#)	400	J2-10	0.008	0.011	0.014	0.016	PSN-750	PSN-760
4.500	PM7555-38(#)	PM7555-68(#)	500	J2-10	0.009	0.013	0.016	0.018		